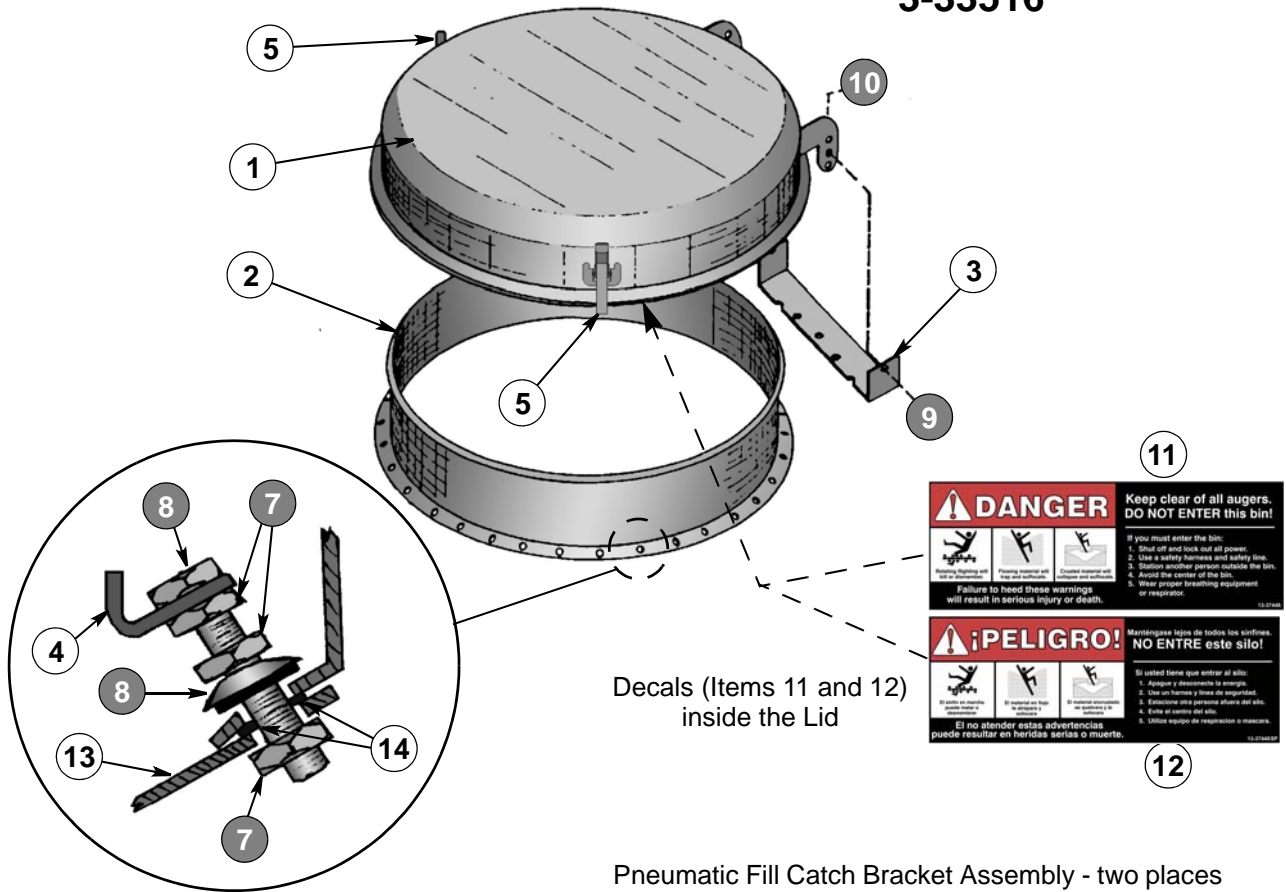




PNEUMATIC LID with Collar Assembly Complete 3-33516



Detail: Catch Bracket Assembly 3-34476

Pneumatic Fill Catch Bracket Assembly - two places
NOTE: There are 12 spaces between Brackets.

Item	Part No.	Description	Qty.
1	3-33032	Pneumatic Lid Assembly (boxed)	1
2	3-32835	Feed Bin Fillhole Collar 35° (boxed)	1
3	3-11518	Lower Hinge Bracket	1
4	3-12964	Pneumatic Fillhole Catch Bracket	2
5	3-13272	Latch, AF Fill	2
6	39-20160	Bolt, Hex Head 1/4"-20 x 1 1/2" Gr. 2	2
7	39-20019	Nut, Jam 1/4"-20	6
8	39-20154	Washer, Weatherseal 1/4"	2
9	39-20132	Bolt, Hex Head 3/8-16 x 1" Gr. 8	2
10	39-20025	Nut, Lock 3/8"-16	2
11	13-37448	Decal, Danger/Suffocation, English	1
12	13-37448SP	Decal, Danger/Suffocation, Spanish	1
	13-37448FR	Decal, Danger/Suffocation, French (available on request)	1
13	varies	Roof Panel	
14	9-16274	Caulk, 40' Roll	

SEPTEMBER 2014

BROCK GRAIN SYSTEMS

A Division of CTB, Inc.

P.O. Box 2000, Milford, IN 46542-2000 USA

Phone: (574) 658-4191 • Fax: (574) 658-4133 • e-mail: brock@brockgrain.com • <http://www.brockgrain.com>

7400 E. 13th Street, Kansas City, MO 64126 USA • Phone: (816) 968-6101 • Fax: (816) 968-6272

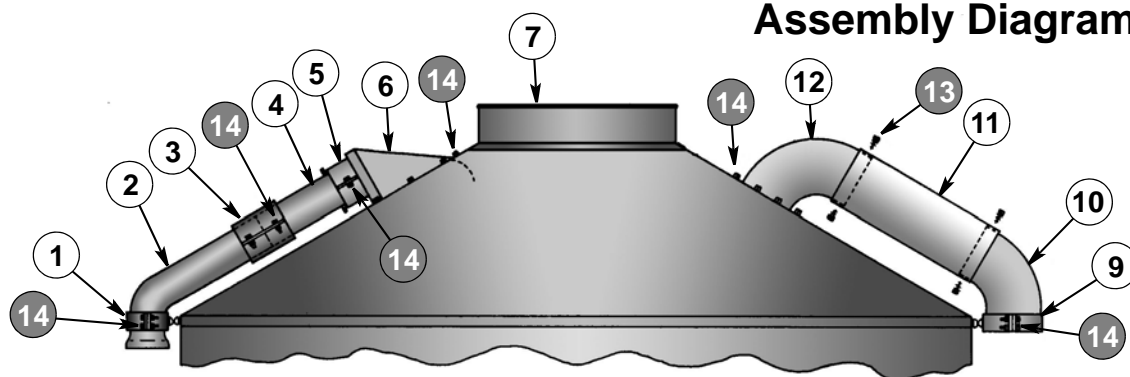
1750 West State Road 28, Frankfort, IN 46041 USA

Phone: (765) 654-8517 • Fax: (765) 654-8510 • Toll Free (800) 541-7900 • www.ctbworld.com or www.graindryers.com

MHB1202E



PNEUMATIC FILL KIT Assembly Diagram



Item	Part No.	Description	Qty.
1	3-14180	4" Clamp Band Half	6
2	3-12629 3-33396	4" Fill Elbow (60° for 30° Roof) 4" Fill Elbow (50° for 40° Roof)	1 or 1
3	3-10975	Upper Half of Drop	2
4	3-12621	4" Dia., 6 1/2" [165] long (16 Ga.) Galvanized Tube for 6' Dia. Bin	1
	3-12622	4" Dia., 14" [356] long (16 Ga.) Galvanized Tube for 7' Dia. Bin	1
	3-12623	4" Dia., 28 1/2" [724] long (16 Ga.) Galvanized Tube for 9' Dia. Bin	1
	3-12070	4" Dia., 44" [1 118] long (16 Ga.) Galvanized Tube for 12' Dia. Bin	1
	3-13875	4" Dia., 52 3/4" [1 340] long (16 Ga.) Galvanized Tube for 15' Dia. Bin	1
5	3-11753	Joiner Half w//Flange	2
6	3-12620	Pneumatic Fill Hood Assembly (4")	1
7	3-12975	Sponge Rubber Tubing (1/2 x 1 x 60" long)	1
9	3-41923	8" Clamp Band Half	6
10	3-41925	8" Exhaust Elbow	1
11	3-41927	8" Dia., 12" [305] long (Snap-Lock) Galvanized Tube for 6' Dia. Bin	1
	3-41928	8" Dia., 18 5/8" [473] long (Snap-Lock) Galvanized Tube for 7' Dia. Bin	1
	3-41929	8" Dia., 28" [711] long (Snap-Lock) Galvanized Tube for 9' Dia. Bin	1
	3-41930	8" Dia., 42 1/8" [1 070] long (Snap-Lock) Galvanized Tube for 12' Dia. Bin	1
	3-41931	8" Dia., 50" [1 270] long (Snap-Lock) Galvanized Tube for 15' Dia. Bin	1
12	3-41926	8" Exhaust Elbow w/Plate (assembly)	1
12A	9-16274	Caulking (not shown) used under Item Numbers 3, 6, and 12	30'
13	*39-20029	Metal Screws, #14 x 5/8" (included in Hardware Kit 3-11779)	6
14	*39-20073	Bolt, Bin Seal 5/16-18 x 1" Grade 8.2	28
	*39-20020	Nut, Hex, 5/16"-18	28
	*3-11779	Pneumatic Fill Hardware Kit (Contains all items marked with an *).	1

BROCK's standard One-Year Warranty for Accessories applies to this part.

Changes this issue:

There were miscellaneous corrections and additions.

Changes last issue:

Pneumatic Lid Assembly (Item 1): the Part Number changed from 3-16545 to 3-33082.

Fillhole Collars (Item 2) for this assembly were formerly either 30° or 40° and have been replaced by a 35° Fillhole Collar, 3-32835.

DANGER Decals were noted on the Lid.

SEPTEMBER 2014

BROCK GRAIN SYSTEMS

A Division of CTB, Inc.

P.O. Box 2000, Milford, IN 46542-2000 USA

Phone: (574) 658-4191 • Fax: (574) 658-4133 • e-mail: brock@brockgrain.com • <http://www.brockgrain.com>

7400 E. 13th Street, Kansas City, MO 64126 USA • Phone: (816) 968-6101 • Fax: (816) 968-6272

1750 West State Road 28, Frankfort, IN 46041 USA

Phone: (765) 654-8517 • Fax: (765) 654-8510 • Toll Free (800) 541-7900 • www.ctbworld.com or www.graindryers.com

MHB1202E