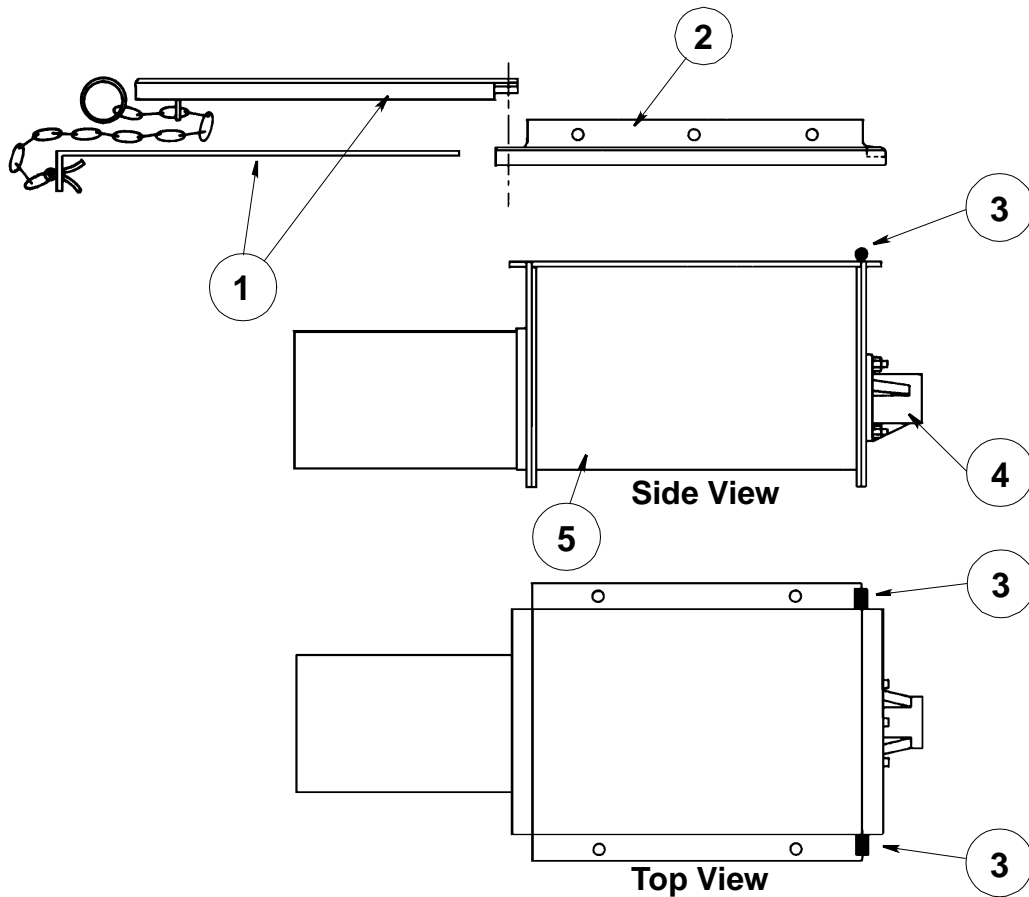




ALL-OUT® BOOT BOTTOM Sealing Instructions



Item	Part No.	Description	Qty.
1	3-16008	Slide Assembly (includes Ring, Chain, Slide, Cotter Pin, Slide Shield Assembly and Gasket material)	1
2	3-13289	Transfer Plate	1
3	3-12600	Caulking (to prevent feed leakage at corners)	per ft.
4	3-13445	Nylon Boot Bearing	1
5	3-13580 3-13581	ALL-OUT® Boot Bottom Assembly 4" [102 mm] 30° ALL-OUT® Boot Bottom Assembly 6" [152 mm] 30°	1 or 1

The BROCK® standard one-year Warranty for Accessory items applies to this Part.
Specifications subject to change without notice.

BROCK GRAIN SYSTEMS

A Division of CTB, Inc.

P.O. Box 2000, Milford, IN 46542-2000

Phone: (574) 658-4191 Fax: (574) 658-4133 e-mail: brock@brockmfg.com Internet: <http://www.brockmfg.com>

7400 E. 13th Street, Kansas City, MO 64126

Phone: (816) 968-6101 Fax: (816) 968-6272 Telex: 6841105