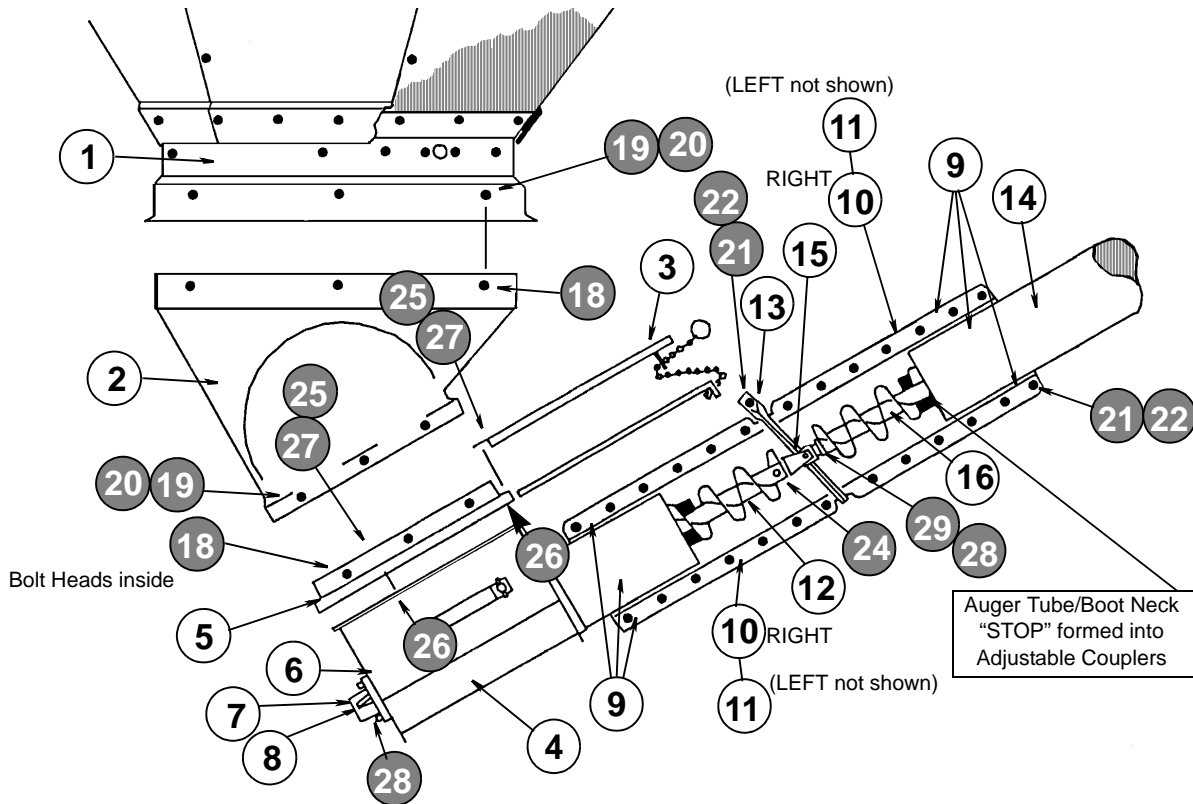


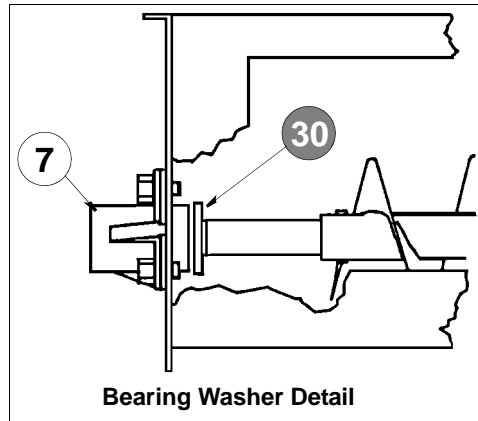
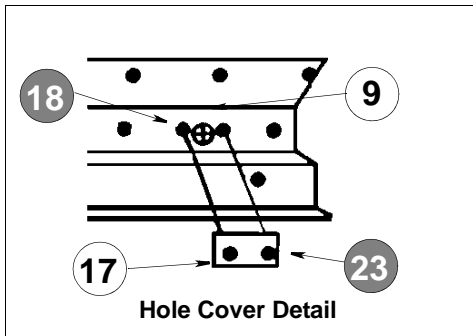


# 16" [406 mm] COLLAR AND UPK Assembly Diagram



*Metric equivalents are in millimeters and square brackets following the English measurement.*  
 Field-drill 11/32" [8.7 mm] diameter holes in the Plastic Transition (Item 2). Use the Collar (Item 1) as a guide for correct hole placement. Make sure the Transition (Item 2) is inserted in the Collar (Item 1) as far as possible before drilling.  
 Adjust the Auger (Item 6) in the Discharge Head to place the center line of the U-Joint (Item 15) on the center line of the Adjustable Coupler (Item 10 and Item 11).  
**Refer to the Item Table/Parts List on the reverse side.**

**IMPORTANT! Do not overtighten Plastic Nuts. To do so could damage threads.**





# 16" [406 mm] COLLAR AND UPK

## Parts List

Item	Part No.	Description	Qty.
1	3-19051	Collar 45° 18' [5 486] and 21' [6 401] Diameter	1 or
	3-19050	Collar 45° 7' [2 134], 9' [2 743], 12' [3 658], and 15' [4 572] Diameter	1 or
	3-19052	Collar 60° 6' [1 829], 9' [2 743], and 15' [4 572] Diameter	1 or
	3-19053	Collar 67° 7' [2 134] Diameter	1
2	6093R	Transition, Plastic 16" [406.4] Horizontal	1 or
	4347R	Transition, Plastic 16" [406.4] 30° (shown)	1
3	3-16008	Slide Assembly	1
4	3-13580	Boot Bottom Assembly 4" [101.6]	1 or
	3-13581	Boot Bottom Assembly 6" [152.4]	1
5	3-13289	Transfer Plate	1
6	3-13406	Clean-out Cover Assembly	1
7	2188	Boot Bearing	1
8	3-10923	Auger Tail Stub Shaft	1
9	9-12600	Caulking	1
10	3-12841	Adjustable Coupler 4" [101.6] 35° (RIGHT)	2 or
	3-13281	Adjustable Coupler 6" [152.4] 35° (RIGHT)	2
11	3-12840	Adjustable Coupler 4" [101.6] 35° (LEFT)	2 or
	3-13280	Adjustable Coupler 6" [152.4] 35° (LEFT)	2
12	3-13294	Auger Tail Assembly 4" [101.6]	1 or
	3-13295	Auger Tail Assembly 6" [152.4]	1
13	3-12842	Flange Clamp 4" [101.6]	3 or
	3-13279	Flange Clamp 6" [152.4]	4
14	varies	Auger Tube 4" [101.6] or 6" [152.4]	1
15	3-12616	U-Joint - 1" [25.4] Standard - 4" - [101.6]	1 or
	3-10885	U-Joint - 1 1/4" [31.8] Optional - 4" - [101.6]	1 or
	3-13337	U-Joint - 1 1/4" [31.8] Standard - 6" - [152.4]	1
16	varies	Auger Screw 4" [101.6] or 6" [152.4]	1
17	3-19040	Hole Cover Plate	1
18	39-20270	5/16 x 3/4" Truss Head Gr. 2 Bolt	18
19	39-20249	5/16" Nylon Washer	18
20	39-20250	5/16" Nylon Nut	18
21	39-20008	5/16 x 1" Hex Head Gr. 2 Bolt	35
22	39-20020	5/16" Hex Nut	35
23	39-20152	5/16" Flange Nut	varies
24	39-20046	3/16 x 1 1/8" Expansion Pin	1
25	39-20004	1/4 x 1" Hex Head Gr. 2 Bolt	6
26	39-20019	1/4" Hex Jam Nut	6
27	39-20154	1/4" Weatherseal Washer	6
28	39-20023	4" [101.6] Auger: 1/4" Hex Lock Nut	4
		6" [152.4] Auger: 1/4" Hex Lock Nut	3
	39-20024	5/16" Hex Lock Nut	1
29	39-20220	1/4 x 1 1/4" Hex Head partial threads Gr. 5 Bolt for 4" [101.6] Auger	1 or
	39-20219	5/16 x 1 1/2" Hex Head partial threads Gr. 5 Bolt for 6" [152.4] Auger	1
30	39-20176	5/8" Washer	1

The BROCK® standard one-year Warranty for Accessory items applies to this Part.  
 Specifications subject to change without notice.  
 Changes this issue: There were Part Number changes.