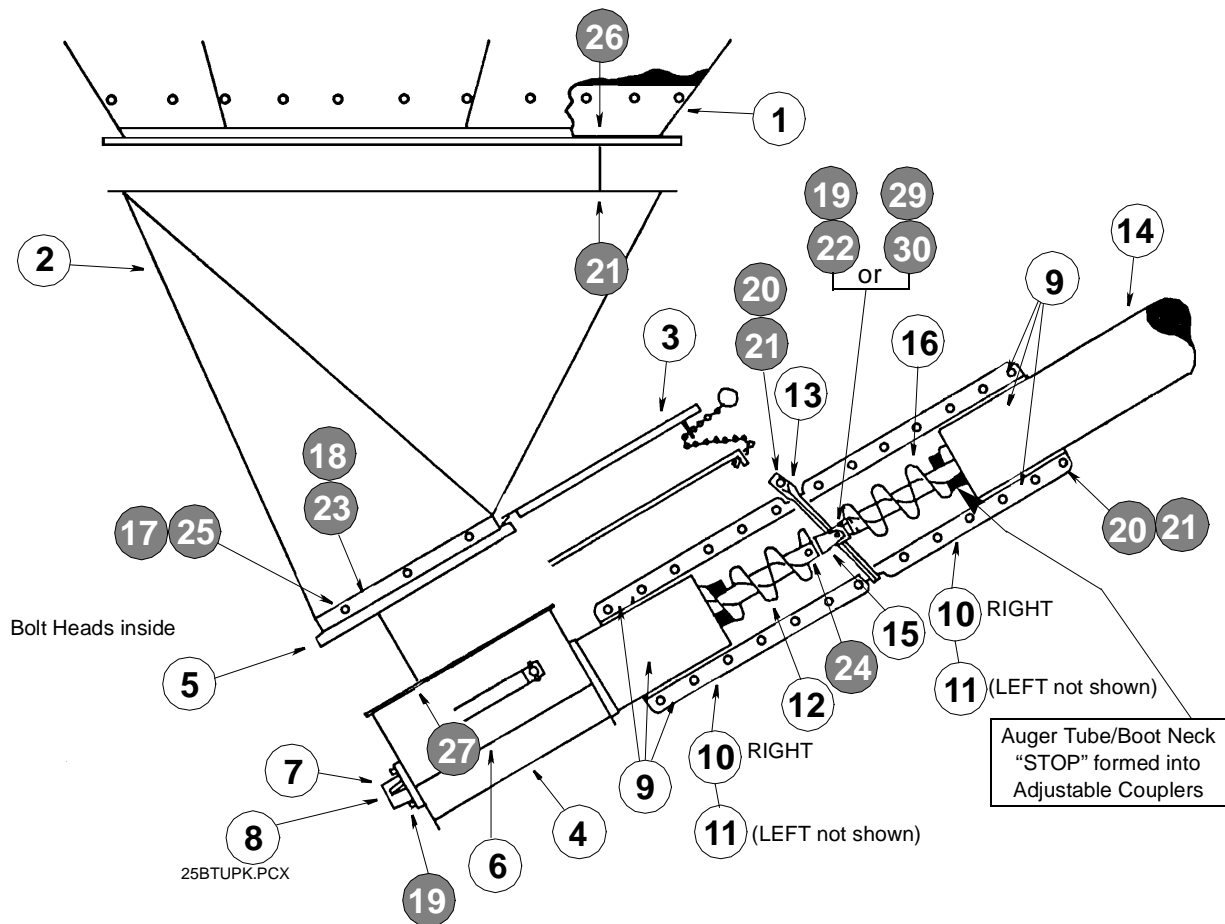


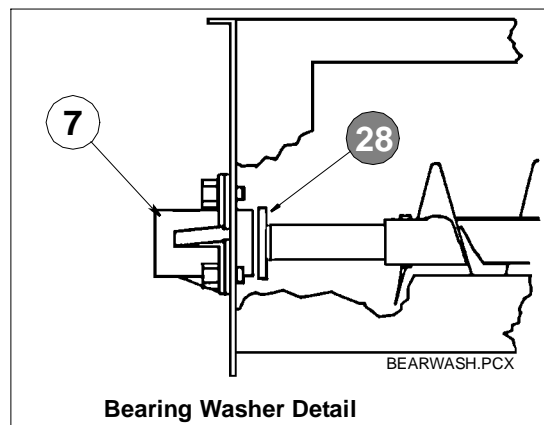


25" [635 mm] BOOT, COLLAR and UPK Assembly Diagram



Adjust the Auger (Item 16) in the Discharge Head to place the center line of the U-Joint (Item 15) on the center line of the Adjustable Coupler (Items 10 and 11).

See the reverse side for the **Parts List**.





25" [635 mm] BOOT, COLLAR and UPK Parts List

Metric equivalents are in millimeters and square brackets following the English measurement.

Item	Part No.	Description	Qty.
1	3-13276	Collar and Plate Weldment 45°	1 or
	3-13273	Collar and Plate Weldment 60°	1 or
	3-13275	Collar and Plate Weldment 67°	1
2	3-26687	Transition Assembly 25" [635], shown	1 or
	3-26686	Transition Assembly 25" [635] Horizontal	1
3	3-16008	Slide Assembly	1
4	3-13580	Boot Bottom Assembly 4" [101.6]	1 or
	3-13581	Boot Bottom Assembly 6" [152.4]	1
5	3-13289	Transfer Plate	1
6	3-13406	Clean-out Cover Assembly	1
7	3-13445	Boot Bearing	1
8	3-10923	Auger Tail Stub Shaft	1
9	3-12600	Caulking	varies
10	3-12841	Adjustable Coupler 4" [101.6] 35° (RIGHT)	2 or
	3-13281	Adjustable Coupler 6" [152.4] 35° (RIGHT)	2
11	3-12840	Adjustable Coupler 4" [101.6] 35° (LEFT)	2 or
	3-13280	Adjustable Coupler 6" [152.4] 35° (LEFT)	2
12	3-13294	Auger Tail Assembly 4" [101.6]	1 or
	3-13295	Auger Tail Assembly 6" [152.4]	1
13	3-12842	Flange Clamp 4" [101.6]	3 or
	3-13279	Flange Clamp 6" [152.4]	4
14	---	Auger Tube 4" [101.6] or 6" [152.4]	1
15	3-12616	U-Joint - 1" [25.4] Standard - 4" - [101.6]	1 or
	3-10885	U-Joint - 1 1/4" [31.8] Optional - 4" - [101.6]	1 or
	3-13337	U-Joint - 1 1/4" [31.8] Standard - 6" - [152.4]	1
16	---	Auger Screw 4" [101.6] or 6" [152.4]	1
17	39-20145	5/16 x 3/4" Truss Head Bin Seal Gr. 8.2 Bolt	10
18	39-20004	1/4 x 1" Hex Head Gr. 2 Bolt	6
19	39-20023	1/4" Hex Lock Nut for 4" [101.6] Auger	4
20	39-20008	5/16 x 1" Hex Head Gr. 2 Bolt	varies
21	39-20020	5/16" Hex Nut	varies
22	39-20220	1/4 x 1 1/4" Hex Head Partial Threads Gr. 5 Bolt for 4" [101.6] Auger	1
23	39-20154	1/4" Weatherseal Washer	6
24	39-20046	3/16 x 1 1/8" Expansion Pin	1
25	39-20152	5/16" Flange Nut	10
26	39-20073	5/16 x 1" Hex Head Bin Seal Gr. 8.2 Bolt	52
27	39-20019	1/4" Hex Jam Nut	6
28	39-20176	5/8" Washer	1
29	39-20219	5/16 x 1 1/2"	1
30	39-20024	5/16" Hex Lock Nut	1

The BROCK® standard one-year Warranty for Accessory items applies to this Part. Specifications subject to change without notice.