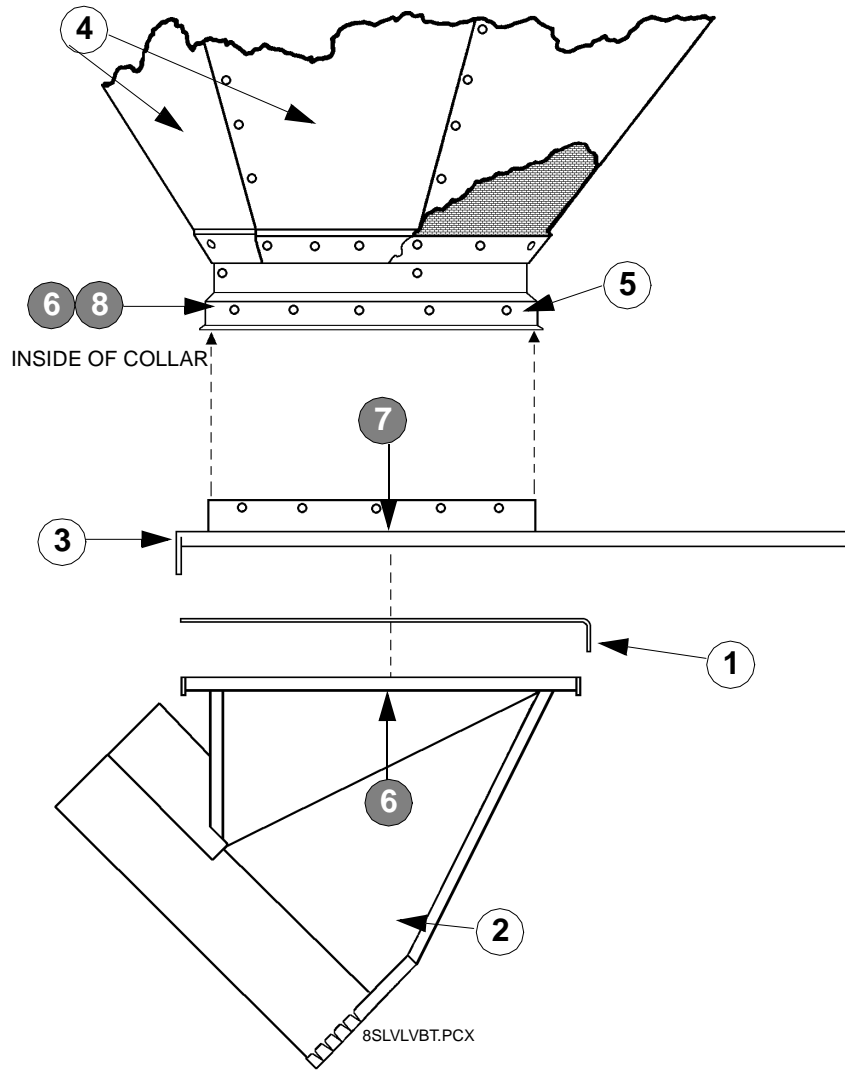




8" [203 mm] SLIDE VALVE BOOT



Item	Part No.	Description	Qty.
1	3-18590	Slide Gate	1
2	3-18591	8" [203] 45°, 16" [406], Slide Valve Boot Sub-Assembly	1
3	3-13932	Roller Valve Plate Sub-Assembly	1
4	varies	Hopper Sections	-
5	varies	Hopper Collar	-
6	39-20152	5/16" Flange Nut	37
7	39-20073	5/16 x 1" Hex Head Bin Seal Bolt Gr. 8.2	20
8	39-20145	5/16 x 3/4" Truss Head Bin Seal Bolt Gr. 8.2	17

Metric equivalents are in millimeters and square brackets following the English measurement.

The BROCK® standard one-year Warranty for Accessory items applies to this Part.
Specifications subject to change without notice.