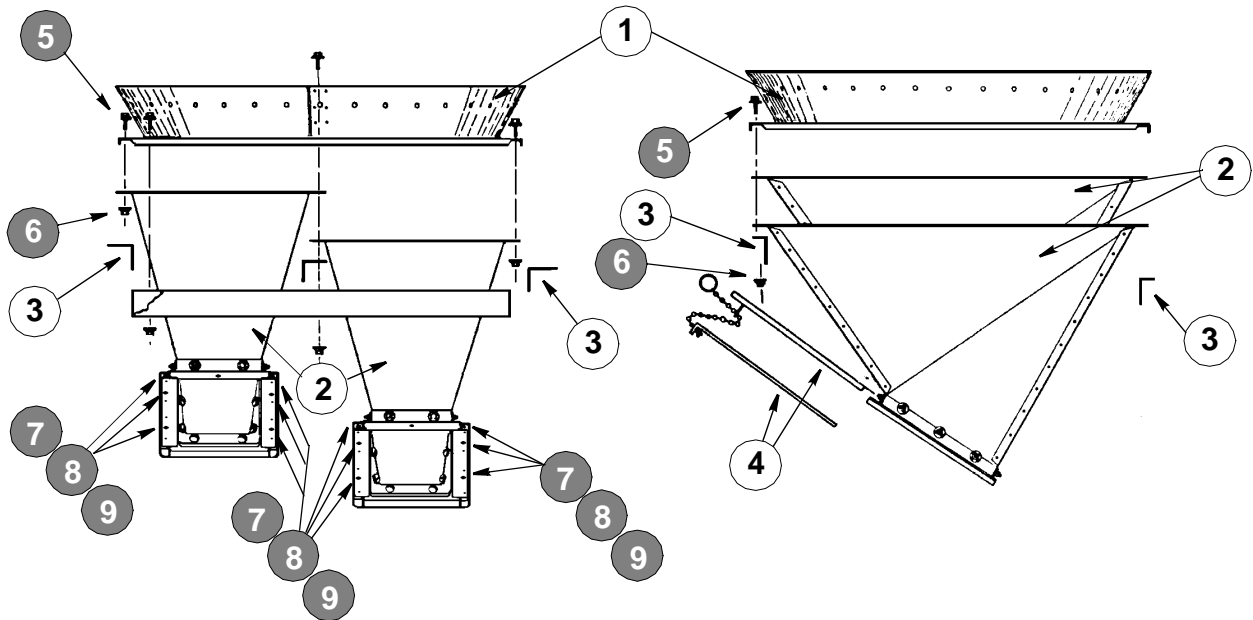




# TWIN BOOT ASSEMBLY

30° Part No. 3-19628  
Horizontal Part No. 3-25657 (not shown)



Item	Part No.	Description	Qty.
1*	3-13273	Super Collar and Plate Assembly 60°	1 or
	3-13275	Super Collar and Plate Assembly 67°	1 or
	3-13276	Super Collar and Plate Assembly 45°	1
2	3-19627	30° Twin Boot Sub-Assembly	2 or
	3-25638	Horizontal Twin Boot Sub-Assembly (not shown)	2
3	3-19240	Twin Boot Angle	5
4**	3-16008	Slide Assembly	2
5	39-20073	5/16 x 1" Bin Seal Gr. 8.2 Bolt	72
6	39-20152	5/16" Flange Nut	72
7	39-20004	1/4 x 1" Hex Head Gr. 2 Bolt	12
8	39-20019	1/4" Jam Nut	12
9	39-20154	1/4" Weatherseal Washer	12

\* The Collar must be ordered separately.

\*\*The Slide Assembly (Item 4) is shown in the SIDE VIEW Detail only.

The BROCK® standard one-year Warranty for Accessory items applies to this Part. Specifications subject to change without notice.