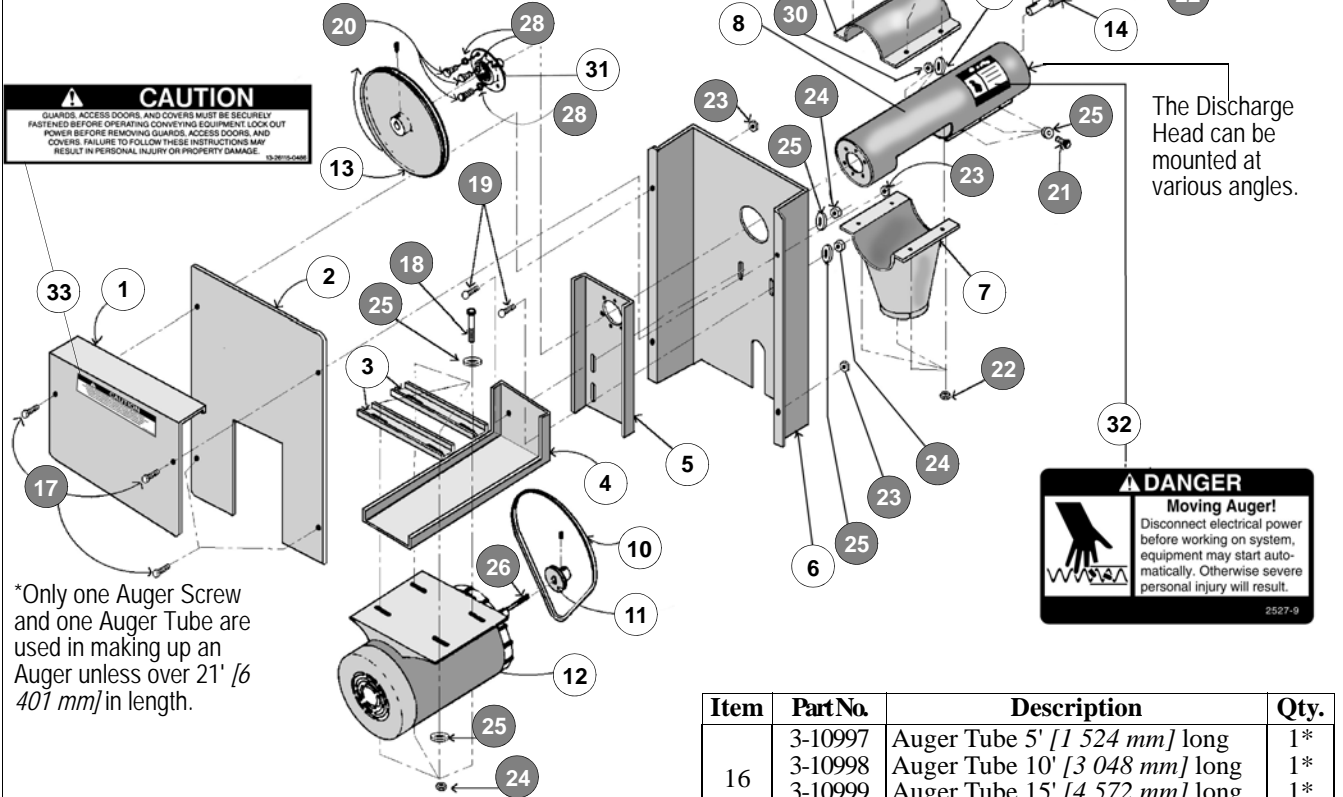




4" AUGER DISCHARGE KIT (Underslung Installation)

Assembly Diagram and Repair Parts List



*Only one Auger Screw and one Auger Tube are used in making up an Auger unless over 21' [6 401 mm] in length.

The Discharge Head can be mounted at various angles.

Item	PartNo.	Description	Qty.
1	3-21585	Belt Guard - Upper Cover	1
2	3-21586	Belt Guard - Lower Cover	1
3	3-21587	Sliding Bracket (Motor Mount)	2
4	3-21588	Horizontal Bracket (Motor Mount)	1
5	3-21589	Vertical Bracket (Motor Mount)	1
6	3-21590	Belt Guard - Back Plate	1
7	3-10622	Drop Assembly	1
8	3-10974	Discharge Head Assembly	1
9	3-10975	Upper Half of Drop	1
10	3-21591	V-Belt - 36" [914.4 mm] Outside Length	1
11		Motor Pulley w/Set Screw (order separately)	1
12		Motor (order separately)	1
13	3-10976	Auger Pulley 8" x 5/8" [203.2 x 15.9 mm] Bore w/Set Screw	1
14	3-10917	Discharge Head Screw Assembly	1
15	3-10993	Auger Screw - 5' [1 524 mm] long	1*
	3-10994	Auger Screw - 10' [3 048 mm] long	1*
	3-10995	Auger Screw - 15' [4 572 mm] long	1*
	3-10996	Auger Screw - 20' [6 096 mm] long	1*

Item	PartNo.	Description	Qty.
16	3-10997	Auger Tube 5' [1 524 mm] long	1*
	3-10998	Auger Tube 10' [3 048 mm] long	1*
	3-10999	Auger Tube 15' [4 572 mm] long	1*
	3-11000	Auger Tube 20' [6 096 mm] long	1*
17	39-20002	1/4 x 1/2" Hex Head Gr. 2 Bolt	4
18	39-37484	5/16 x 2" Hex Head Gr. 5 Bolt	4
19	39-20118	5/16 x 1" Gr. 5 Carriage Bolt	2
20	39-20004	1/4 x 1" Hex Head Gr. 2 Bolt	7
21	39-20008	5/16 x 1" Hex Head Gr. 2 Bolt	7
22	39-20023	1/4" Hex Lock Nut	6
23	39-20019	1/4" Jam Nut	4
24	39-20024	5/16" Hex Lock Nut	5
25	39-20058	5/16" Flat Washer	17
26	39-20181	Square Key 3/16 x 1"	1
27	39-20048	#9 Woodruff Key	1
28	39-20186	1/4" Lock Washer	3
29	39-20220	1/4 x 1 1/4" Hex Head Gr. 5 Bolt	2
30	39-20020	5/16" Hex Nut	7
31	3-10988	Discharge Head Bearing	1
32	2527-9	DANGER Moving Auger Decal	1
33	13-26115	CAUTION Decal	1
	3-14199	4" [101.6 mm] Auger Support Band (not shown)	

All specifications subject to change without notice. This product is covered by the BROCK® standard one-year Warranty for Accessory items. Changes this issue: There was a part number correction for the Discharge Head Bearing. The corporate phone number changed.

January 2022

BROCK GRAIN SYSTEMS
A Division of CTB Inc.

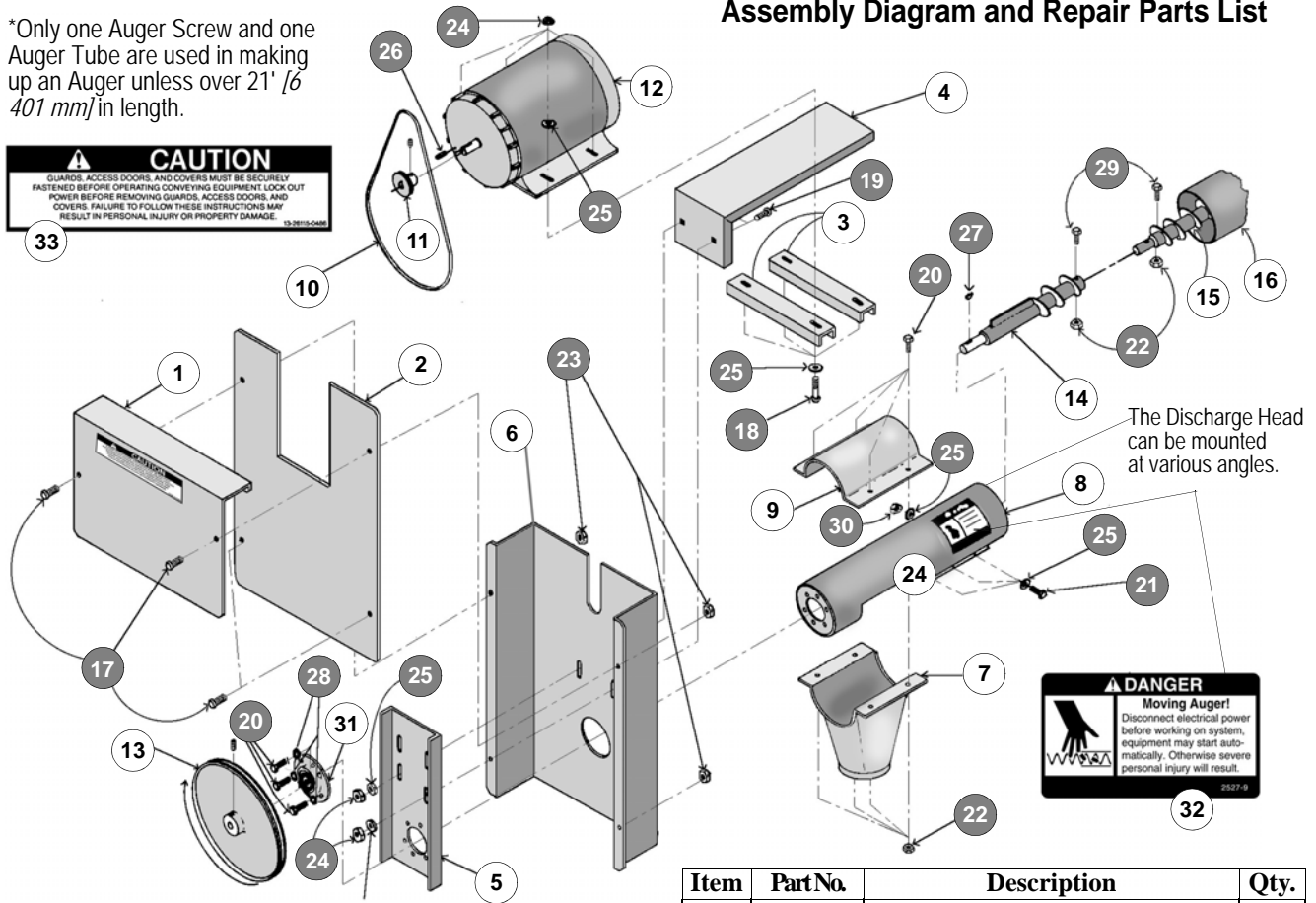
MHB1244D

P.O. Box 2000 · Milford, Indiana 46542-2000 · U.S.A. • Phone +1 (866) 658-4191
e-mail: brock@brockgrain.com · Internet: <http://www.brockgrain.com>



4" AUGER DISCHARGE KIT (Overhead Installation) Assembly Diagram and Repair Parts List

*Only one Auger Screw and one Auger Tube are used in making up an Auger unless over 21' [6 401 mm] in length.



Item	Part No.	Description	Qty.
1	3-21585	Belt Guard - Upper Cover*	1
2	3-21586	Belt Guard - Lower Cover	1
3	3-21587	Sliding Bracket (Motor Mount)	2
4	3-21588	Horizontal Bracket (Motor Mount)	1
5	3-21589	Vertical Bracket (Motor Mount)	1
6	3-21590	Belt Guard - Back Plate	1
7	3-10622	Drop Assembly	1
8	3-10974	Discharge Head Assembly*	1
9	3-10975	Upper Half of Drop	1
10	3-21591	V-Belt - 36" [914.4 mm] Outside Length	1
11		Motor Pulley w/Set Screw (order separately)	1
12		Motor (order separately)	1
13	3-10976	Auger Pulley 8" x 5/8" [203.2 x 15.9 mm] Bore w/Set Screw	1
14	3-10917	Discharge Head Screw Assembly	1
15	3-10993	Auger Screw - 5' [1 524 mm] long	1*
	3-10994	Auger Screw - 10' [3 048 mm] long	1*
	3-10995	Auger Screw - 15' [4 572 mm] long	1*
	3-10996	Auger Screw - 20' [6 096 mm] long	1*

Item	Part No.	Description	Qty.
16	3-10997	Auger Tube 5' [1 524 mm] long	1*
	3-10998	Auger Tube 10' [3 048 mm] long	1*
	3-10999	Auger Tube 15' [4 572 mm] long	1*
	3-11000	Auger Tube 20' [6 096 mm] long	1*
17	39-20002	1/4 x 1/2" Hex Head Gr. 2 Bolt	4
18	39-37484	5/16 x 2" Hex Head Gr. 5 Bolt	4
19	39-20118	5/16 x 1" Gr. 5 Carriage Bolt	2
20	39-20004	1/4 x 1" Hex Head Gr. 2 Bolt	7
21	39-20008	5/16 x 1" Hex Head Gr. 2 Bolt	7
22	39-20023	1/4" Hex Lock Nut	6
23	39-20019	1/4" Jam Nut	4
24	39-20024	5/16" Hex Lock Nut	5
25	39-20058	5/16" Flat Washer	17
26	39-20181	Square Key 3/16 x 1"	1
27	39-20048	#9 Woodruff Key	1
28	39-20186	1/4" Lock Washer	3
29	39-20220	1/4 x 1 1/4" Hex Head Gr. 5 Bolt	2
30	39-20020	5/16" Hex Nut	7
31	3-10988	Discharge Head Bearing	1
32	2527-9	DANGER Moving Auger Decal	1
33	13-26115	CAUTION Decal	1
	3-14199	4" [101.6 mm] Auger Support Band (not shown)	