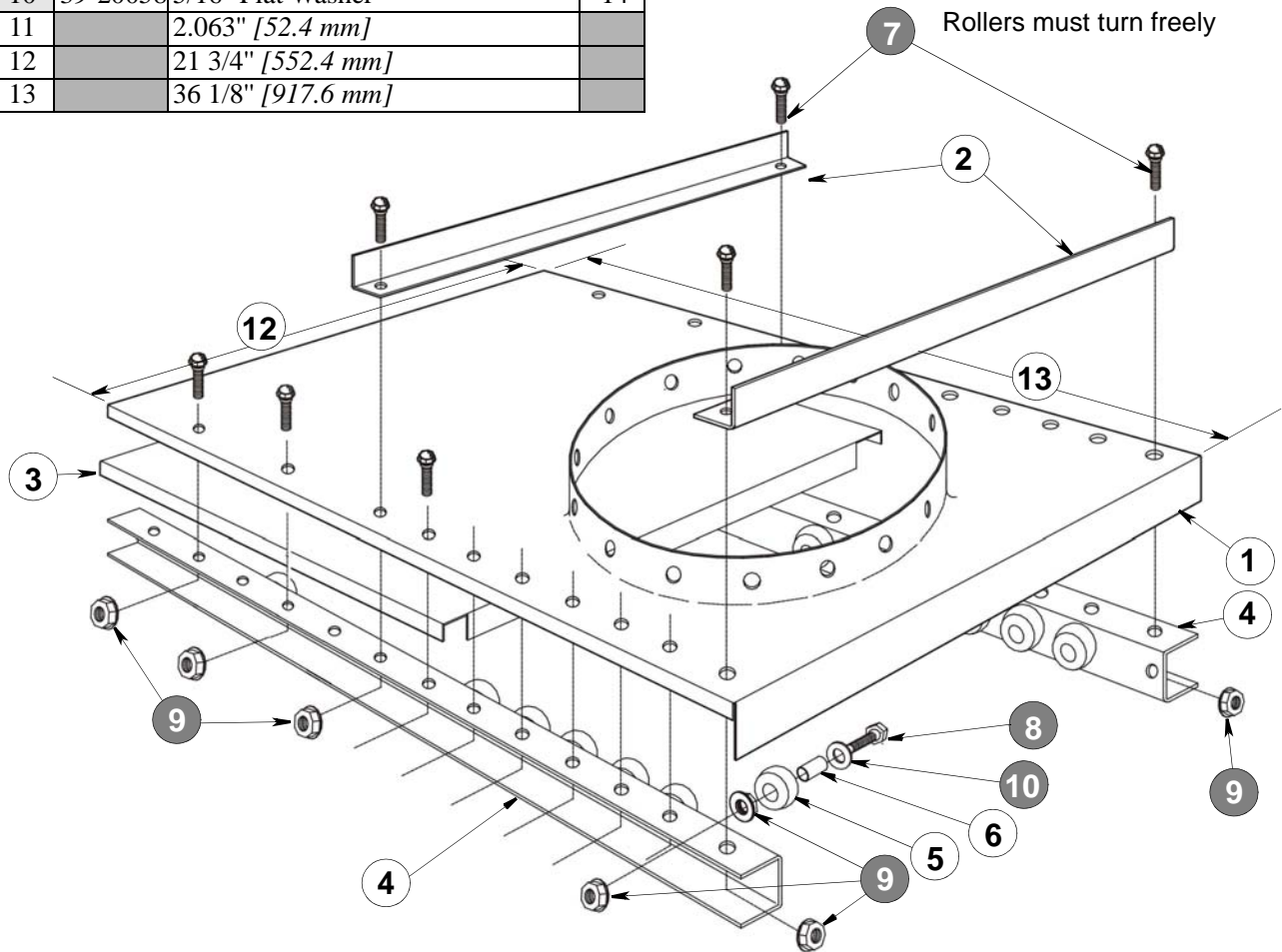
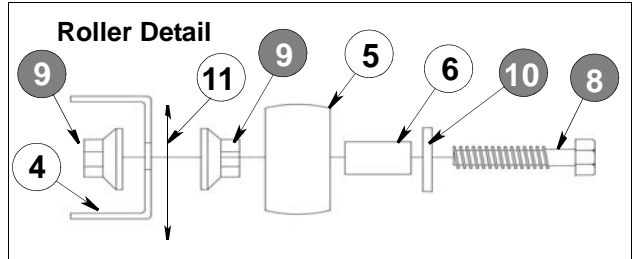




16" [406 mm] ROLLER VALVE Assembly 3-16325

Item	Part No.	Description	Qty.
1	3-13932	Roller Valve Plate Assembly	1
2	3-17949	Roller Valve Reinforcing Angle	2
3	3-13933	Roller Valve Gate	1
4	3-13934	Roller Valve Rail (only)	2
5	25418	Roller (only)	14
6	3-24017	Roller Bushing	14
7	39-20072	5/16-18 x 3/4" Bin Seal Bolt Gr. 8.2	20
8	39-20243	5/16-18 x 1 1/2" Hex Head Bolt	14
9	39-20152	5/16"-18 Flange Nut Attaches Roller Valve Rail to Plate Attaches Roller to Roller Valve Rail	20 28
10	39-20058	5/16" Flat Washer	14
11		2.063" [52.4 mm]	
12		21 3/4" [552.4 mm]	
13		36 1/8" [917.6 mm]	



Roller Assembly 3-24018

Item	Part No.	Description	Qty.
5	25418	Roller (only)	1
6	3-24017	Roller Bushing	1
8	39-20243	5/16-18 x 1 1/2" Hex Head Bolt	1
9	39-20152	5/16"-18 Flange Nut	1
10	39-20058	5/16" Flat Washer	1

The BROCK® standard one-year Warranty for Accessory items applies to this Part. Specifications subject to change without notice. Changes this issue: Item 5 Part No. was updated.