



SPRING-LOCK™ Lid/ Fill System Shutoff Switch

3-40164

Installation:

For related information on installing the Handle Brackets and Clamps for the SPRING LOCK™ Lid, refer to Pages 3-4 of the Base Manual *BROCK SPRING-LOCK LID™ Full Assembly Instructions*, MHB1269.

Read **all** instructions **before** starting assembly.

1. Install the top Handle Bracket ③.
2. The Handle ⑥ should be in the **closed** position (see **Figure 2**).

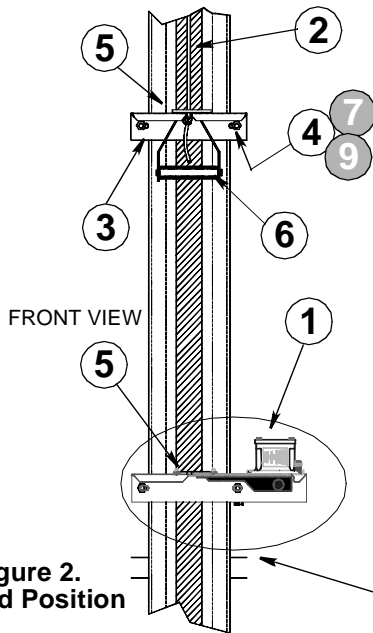


Figure 2.
Closed Position

3. The Shut-Off Switch/Bracket ① should be substituted for the lower Handle Bracket supplied with the Lid. The Switch and Bracket should be located 27" (685.8) below the top Bracket ③. See **Figure 3**. Use the hardware connections described in the Manual (**Figures 2-4**). While the same Line Guide ⑤ is used, Press Studs* in the top of the Shut-Off Bracket replace Carriage Bolts used to install the Line Guide to the top Bracket.
4. To adjust the Switch, turn the spring-tightening Nut on the Switch (** **Figures 1** and **3**) counter-clockwise until the Switch clicks. Once the Switch clicks, turn the Nut clockwise one-and-a-half turns past the click.
5. See reverse side for Wiring Diagrams. Also refer to instructions MA1017 located inside the Switch Box.

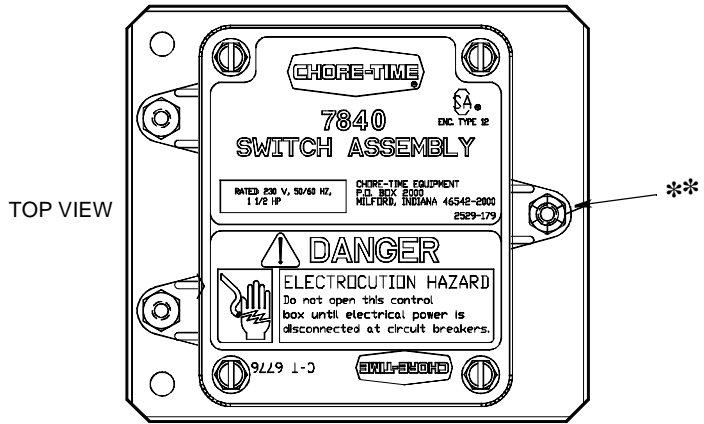


Figure 1.
Shutoff Switch

Key	Part No.	Description
1	3-40164	Shutoff Switch
2	3-37173	Line
3	3-37058	Handle Bracket (Top)
4	3-35348	Handle Bracket Clamp
5	3-37207	Line Guide
6	3-37059	Handle
7	39-20284	Hex Head Bolt 5/16 x 1 3/4"
8	39-37176	Lock Nut 1/4"
9	39-20020	Hex Nut 5/16"

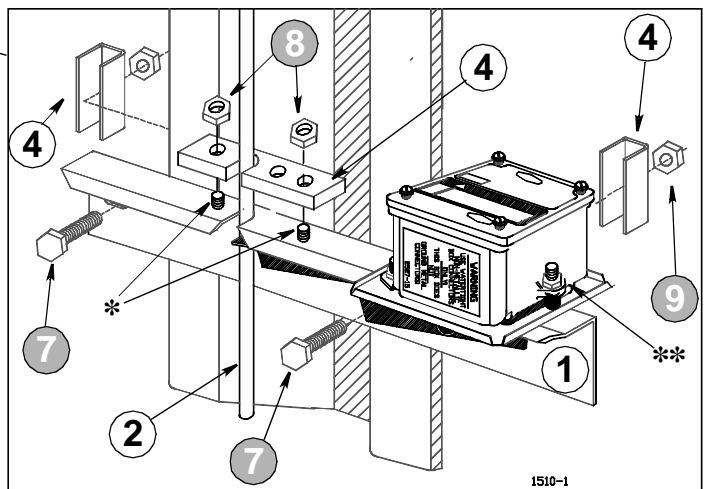


Figure 3. Shutoff Switch Installation to Leg



SPRING-LOCK™ Lid/Fill System Shutoff Switch 3-40164

