



# SPRING-LOCK™ LID SNOW SEAL

3-40598

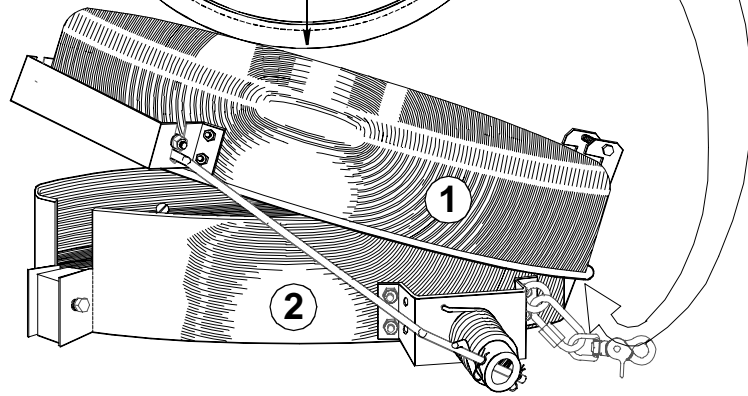
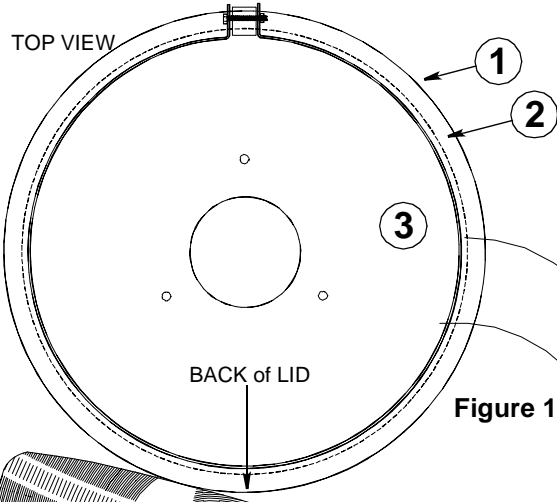
*Metric equivalents are in millimeters and parentheses following the English measurement.*

The Snow Seal Plate attaches underneath the Lid (see **Figures 1 and 2**) in three places with the Hardware Kit provided.

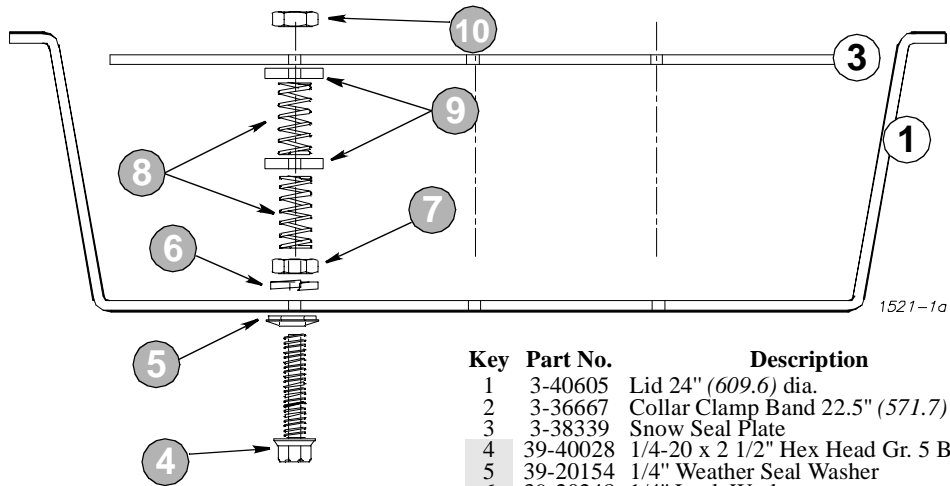
1. Slip a Weather Seal Washer (Key 5) onto the 1/4 x 2 1/2" Hex Head Bolt (Key 4) and put the Bolt through the Lid, Bolt head on the **outside** (top) of the Lid. See **Figure 2**.
2. Tighten a 1/4" Jam Nut (Key 7) and 1/4" Lock Washer (Key 6) onto the Bolt on the **inside** of the Lid.
3. Install alternately, as shown, a Spring (Key 8), 1/4" Flat Washer (Key 9), Spring, and Flat Washer, onto the Bolt as shown.
4. Repeat Steps 1-3 for the other two holes in the Lid.
5. Set the Snow Seal Plate onto the Bolts above the top/last Flat Washer.
6. Tighten 1/4" Lock Nuts (Key 10) over the Plate onto the three Bolts.

**IMPORTANT:** The Lock Nut must be either flush with the end of the Bolt, or have no more than 1/8" (3.2) of Bolt protruding.

7. To continue assembly, refer to the SPRING-LOCK LID™ Manual, MHB1269.



**Figure 1**



**Figure 2**

Key	Part No.	Description	Qty.
1	3-40605	Lid 24" (609.6) dia.	-
2	3-36667	Collar Clamp Band 22.5" (571.7) dia.	-
3	3-38339	Snow Seal Plate	1
4	39-40028	1/4-20 x 2 1/2" Hex Head Gr. 5 Bolt	3
5	39-20154	1/4" Weather Seal Washer	3
6	39-20248	1/4" Lock Washer	3
7	39-20019	1/4" Jam Nut	3
8	CT7132	Spring	6
9	39-20207	1/4" Flat Washer	6
10	39-37176	1/4" Lock Nut	3

The BROCK standard one-year Warranty for Accessory items applies to this part.



# SPRING-LOCK™ LID SNOW SEAL

3-40598

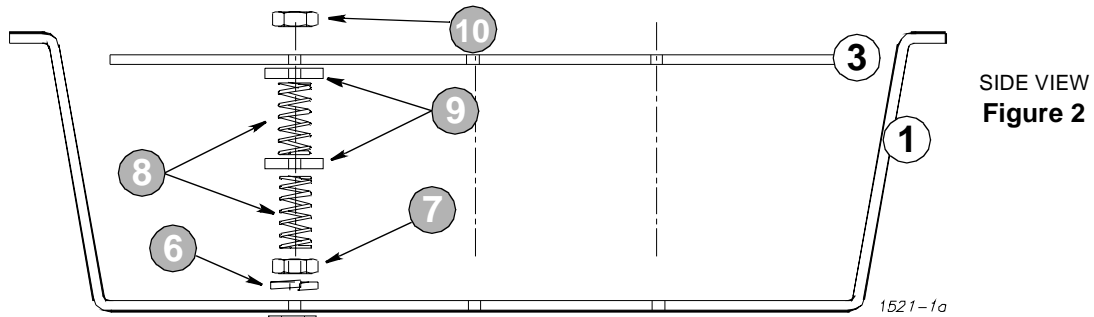
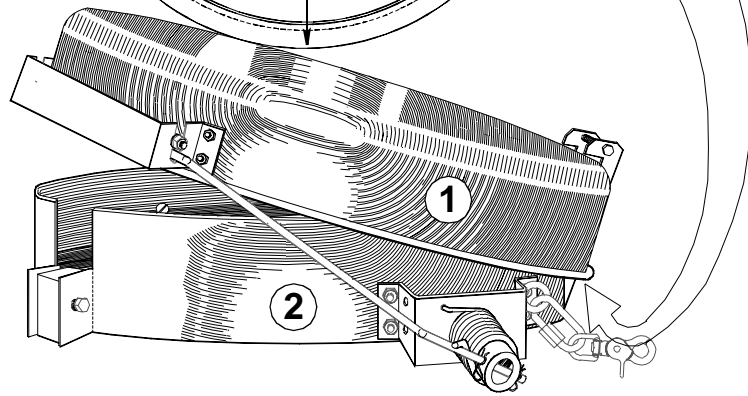
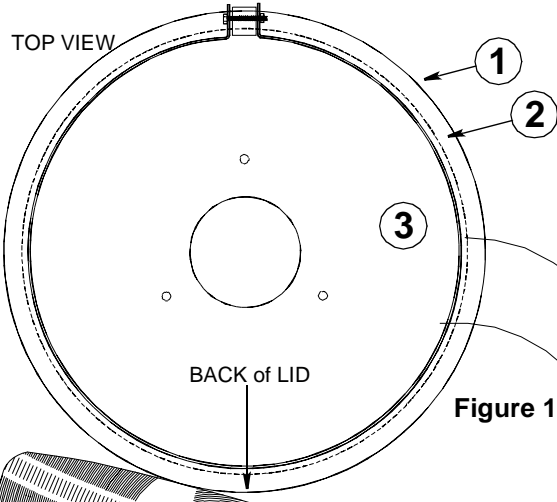
*Metric equivalents are in millimeters and parentheses following the English measurement.*

The Snow Seal Plate attaches underneath the Lid (see **Figures 1 and 2**) in three places with the Hardware Kit provided.

1. Slip a Weather Seal Washer (Key 5) onto the 1/4 x 2 1/2" Hex Head Bolt (Key 4) and put the Bolt through the Lid, Bolt head on the **outside** (top) of the Lid. See **Figure 2**.
2. Tighten a 1/4" Jam Nut (Key 7) and 1/4" Lock Washer (Key 6) onto the Bolt on the **inside** of the Lid.
3. Install alternately, as shown, a Spring (Key 8), 1/4" Flat Washer (Key 9), Spring, and Flat Washer, onto the Bolt as shown.
4. Repeat Steps 1-3 for the other two holes in the Lid.
5. Set the Snow Seal Plate onto the Bolts above the top/last Flat Washer.
6. Tighten 1/4" Lock Nuts (Key 10) over the Plate onto the three Bolts.

**IMPORTANT:** The Lock Nut must be either flush with the end of the Bolt, or have no more than 1/8" (3.2) of Bolt protruding.

7. To continue assembly, refer to the SPRING-LOCK LID™ Manual, MHB1269.



Key	Part No.	Description	Qty.
1	3-40605	Lid 24" (609.6) dia.	-
2	3-36667	Collar Clamp Band 22.5" (571.7) dia.	-
3	3-38339	Snow Seal Plate	1
4	39-40028	1/4-20 x 2 1/2" Hex Head Gr. 5 Bolt	3
5	39-20154	1/4" Weather Seal Washer	3
6	39-20248	1/4" Lock Washer	3
7	39-20019	1/4" Jam Nut	3
8	CT7132	Spring	6
9	39-20207	1/4" Flat Washer	6
10	39-37176	1/4" Lock Nut	3

The BROCK standard one-year Warranty for Accessory items applies to this part.