



SPRING-LOCK® LID SNOW SEAL

Retrofit Assembly 3-40646

Metric equivalents are in millimeters and square brackets following the English measurement.

The Snow Seal Plate attaches underneath the Lid (see **Figures 1 and 2**) in three places with the Hardware Kit provided.

1. **Center** the Snow Seal Plate (Item 3) under the Lid (Item 1) with the three holes positioned as shown in **Figure 1**, Top View.
2. Use the center of the holes in the Plate to mark the Lid. Drill three 1/4" [6.4] diameter holes through the Lid.
3. Slip a Weatherseal Washer (Item 5) onto the 1/4 x 2 1/2" Hex Head Bolt (Item 4) and put the Bolt through the Lid, Bolt head on the **outside** (top) of the Lid. See **Figure 2**.
4. Place a 1/4" Lock Washer (Item 6) then a 1/4" Jam Nut (Item 7) onto the Bolt on the **inside** of the Lid.
5. Install alternately, as shown, a Spring (Item 8), 1/4" Flat Washer (Item 9), Spring, and Flat Washer, onto the Bolt as shown.
6. Repeat Steps 3-5 for the other two holes in the Lid.
7. Set the Snow Seal Plate onto the Bolt above the top/last Flat Washer.
8. Tighten 1/4" Lock Nuts (Item 10) over the Plate onto the three Bolts.

IMPORTANT: The Lock Nut must be either flush with the end of the Bolt, or have no more than 1/8" [3.2] of Bolt protruding.

9. To continue with assembly, refer to the BROCK® SPRING-LOCK LID® Manual, MHB1269.

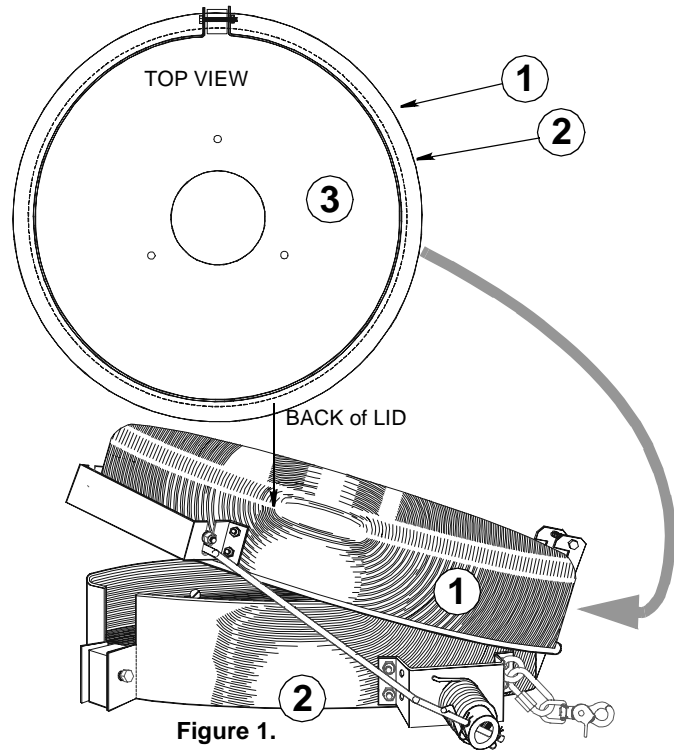


Figure 1.

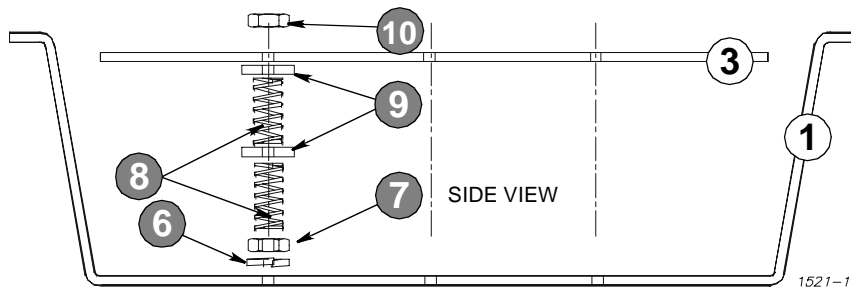


Figure 2.

Item	Part No.	Description	Qty.
1	3-36668	Lid 24" [609.6] dia.	-
2	3-36667	Collar Clamp Band 22.5" [571.7] dia.	-
3	3-38339	Snow Seal Plate	1
4	39-40028	1/4-20 x 2 1/2" Hex Head Gr. 5 Bolt	3
5	39-20154	1/4" Weatherseal Washer	3
6	39-20248	1/4" Lock Washer	3
7	39-20019	1/4" Jam Nut	3
8	CT7132	Spring	6
9	39-20207	1/4" Flat Washer	6
10	39-37176	1/4" Lock Nut	3

The BROCK® standard one-year Warranty for Accessory items applies to this Part. Specifications subject to change without notice.