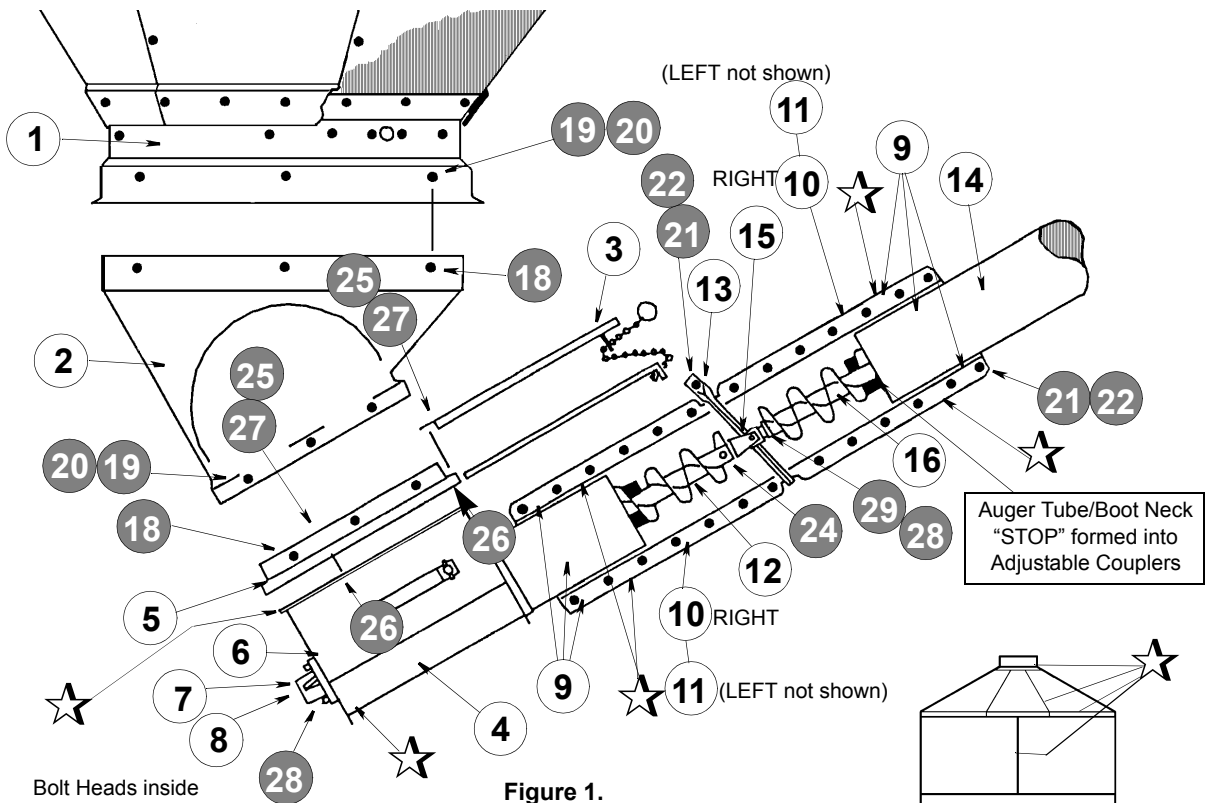




16" [406 mm] COLLAR, ALL-OUT[®] BOOT and UPK Installation Instructions



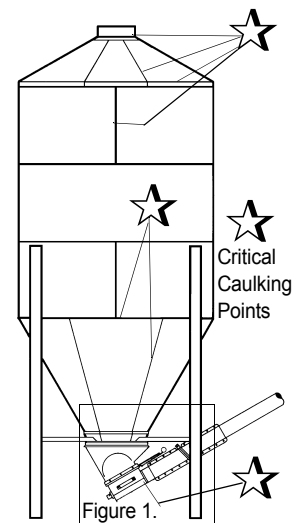
The **Item Table** for **Figure 1** above is on the back of this instruction.

Caulking

Stars indicate where Caulking should be used. A bead of Caulking should be used on **each** side of the line of Bolt holes, as close to the edge as possible.

Caulk the faces of the adjustable Coupler and around the Tube.

Caulk Boot corners to prevent feed from sifting out.



Metric equivalents are in millimeters and square brackets following the English measurement.

Transition-to-Collar Assembly

Drill 11/32" [8.7] diameter holes in the Plastic Transition (Item 2). Use the Collar (Item 1) as a guide for correct hole placement. Make sure the Transition is inserted in the Collar as far as possible before drilling.

Adjust the Auger (Item 16) in the Discharge Head to place the center line of the U-Joint (Item 15) on the center line of the Adjustable Coupler (Items 10 and 11).

See the back page for a PARTS LIST.

IMPORTANT!

Do not overtighten Plastic Nuts.
To do so could damage threads.

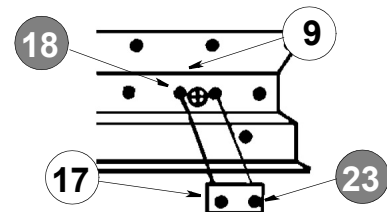


Figure 2. Hole Cover Detail

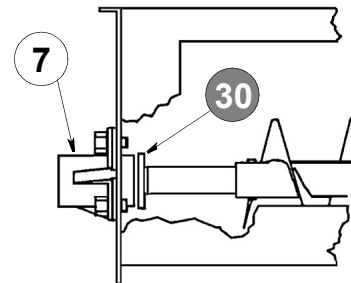


Figure 3. Bearing Washer Detail

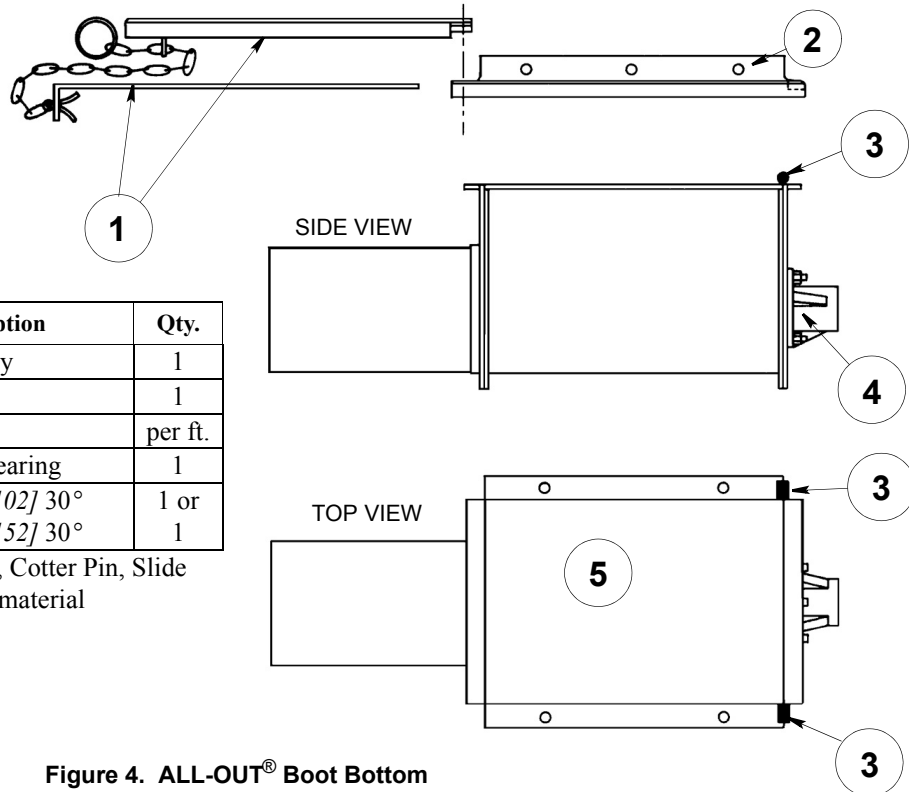


Figure 4. ALL-OUT® Boot Bottom

Item	Part No.	Description	Qty.
1	3-16008	Slide Assembly	1
2	3-13289	Transfer Plate	1
3	3-12600	Caulking	per ft.
4	3-13445	Nylon Boot Bearing	1
5	3-13580	Assembly 4" [102] 30°	1 or
	3-13581	Assembly 6" [152] 30°	1

* includes Ring, Chain, Slide, Cotter Pin, Slide Shield Assembly and Gasket material

AUGER CLEARANCE UNDER BOOT

MODEL	6" [152.4 mm]	4" [101.6 mm]
6' D - 60°	7 1/2" [190.5]	9 1/4" [235.9]
7' D - 45°	6 1/8" [155.6]	8" [203.2]
7' D - 67°	6 3/8" [161.9]	8 1/8" [206.3]
9' D - 45°	6 1/8" [155.6]	8" [203.2]
9' D - 60°	6 1/8" [155.6]	8" [203.2]
12' D - 45°	12 1/8" [307.9]	14" [355.6]
12' D - 60°	12 1/4" [311.2]	14" [355.6]
15' D - 45°	12 1/4" [311.2]	14" [355.6]
18' D - 45°	12 1/8" [307.9]	14" [355.6]
21' D - 45°	12 1/8" [307.9]	14" [355.6]

CL OF COLLAR TO LEG BOLT

MODEL	DISTANCE
A 6' D	26 7/8" [682.6]
B 7' D	31 1/8" [90.5]
C 9' D	48 3/8" [1 228.7]
D 12' D	68 1/8" [1 730.3]
E 15' D	89 5/8" [2 276.4]
F 18' D	107 7/8" [2 740.0]
G 21' D	126 5/8" [3 216.2]

Height and Distance Chart

NOTE: This is a ONE-TIME adjustment.

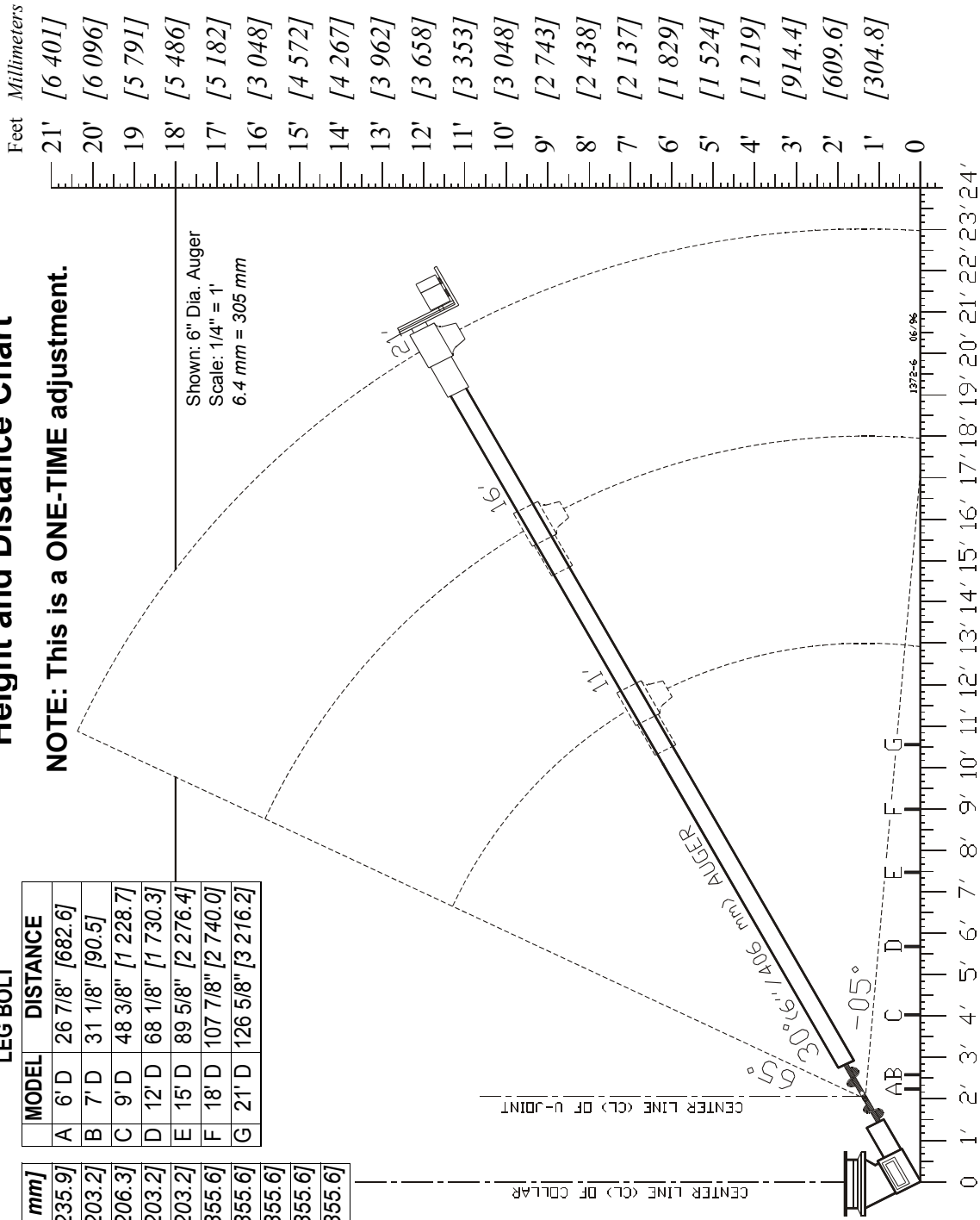


Figure 5.. Height and Distance Chart

Item	Part No.	Description	Qty.
1	3-16892	Collar 45° 18' [5 486] and 21' [6 401] Diameter	1 or
	3-16890	Collar 45° 7' [2 134], 9' [2 743], 12' [3 658], and 15' [4 572] Dia.	1 or
	3-16888	Collar 60° 6' [1 829], 9' [2 743], and 12' [3 658] Diameter	1 or
	3-16889	Collar 67° 7' [2 134] Diameter	1
2	3-26095	Transition, Plastic 16" [406.4] Horizontal	1 or
	3-12845	Transition, Plastic 16" [406.4] 30° (shown)	1
3	3-16008	Slide Assembly	1
4	3-13580	Boot Bottom Assembly 4" [101.6]	1 or
	3-13581	Boot Bottom Assembly 6" [152.4]	1
5	3-13289	Transfer Plate	1
6	3-13406	Clean-out Cover Assembly	1
7	3-13445	Boot Bearing	1
8	3-10923	Auger Tail Stub Shaft	1
9	3-12600	Caulking	1
10	3-12841	Adjustable Coupler 4" [101.6] 35° (RIGHT)	2 or
	3-13281	Adjustable Coupler 6" [152.4] 35° (RIGHT)	2
11	3-12840	Adjustable Coupler 4" [101.6] 35° (LEFT)	2 or
	3-13280	Adjustable Coupler 6" [152.4] 35° (LEFT)	2
12	3-13294	Auger Tail Assembly 4" [101.6]	1 or
	3-13295	Auger Tail Assembly 6" [152.4]	1
13	3-12842	Flange Clamp 4" [101.6]	3 or
	3-13279	Flange Clamp 6" [152.4]	4
14	---	Auger Tube 4" [101.6] or 6" [152.4]	1
15	3-12616	U-Joint - 1" [25.4] Standard - 4" - [101.6]	1 or
	3-10885	U-Joint - 1 1/4" [31.8] Optional - 4" - [101.6]	1 or
	3-13337	U-Joint - 1 1/4" [31.8] Standard - 6" - [152.4]	1
16	---	Auger Screw 4" [101.6] or 6" [152.4]	1
17	3-19040	Hole Cover Plate	1
18	39-20270	5/16 x 3/4" Truss Head Gr. 2 Bolt	18
19	39-20249	5/16" Nylon Washer	18
20	39-20250	5/16" Nylon Nut	18
21	39-20008	5/16 x 1" Hex Head Gr. 2 Bolt	35
22	39-20020	5/16" Hex Nut	35
23	39-20152	5/16" Flange Nut	varies
24	39-20046	3/16 x 1 1/8" Expansion Pin	1
25	39-20004	1/4 x 1" Hex Head Gr. 2 Bolt	6
26	39-20019	1/4" Hex Jam Nut	6
27	39-20154	1/4" Weatherseal Washer	6
28	39-20023	1/4" Hex Lock Nut	4" Aug. 4
	39-20024	5/16" Hex Lock Nut	6" Aug. 3
29	39-20220	1/4 x 1 1/4" Hex Head Partial Threads Gr. 5 Bolt for 4" [101.6] Auger	---
	39-20219	5/16 x 1 1/2" Hex Head Partial threads Gr. 5 Bolt for 6" [152.4] Auger	1 or 1
30	39-20176	5/8" Washer	1



Different by Design™
BROCK MANUFACTURING
Division of CTB

P.O. Box 2000 • Milford, Indiana 46542-2000 • U.S.A.
 Phone (574) 658-4191 • Fax (574) 658-4133
 e-mail: brock@brockmfg.com • Internet: http://www.brockmfg.com
 and
 7400 East Thirteenth Street, Kansas City, Missouri 64126 U.S.A.
 Phone (816) 968-6101 • FAX: (816) 968-6272 TLX: 6841105
 Printed in the U.S.A.

All specifications subject to change without notice.
 BROCK's standard One-Year Warranty for Accessories applies to this part.
 ALL-OUT® is a U.S. Registered Trademark, No. 2,099,702.