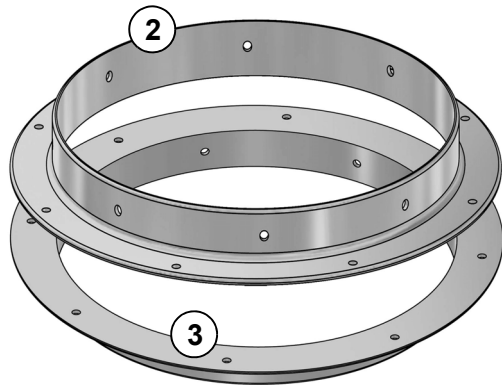


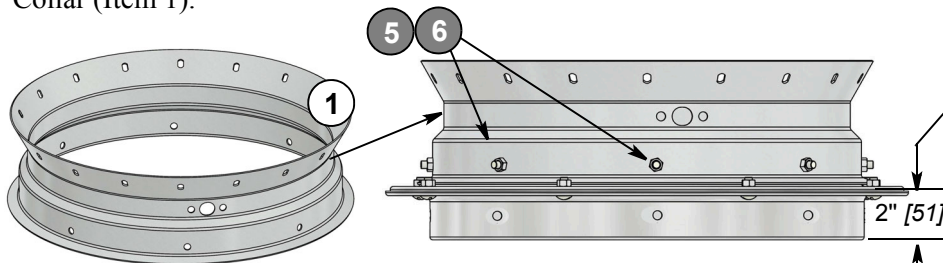
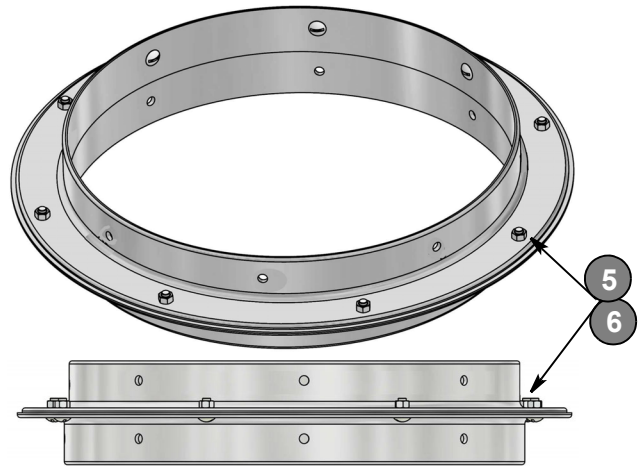


# 16" 60° Hopper Collar Reinforcing Angle Ring Kit 3-56769



Bolt Upper and Lower Angle Rings (Items 2 and 3) together as shown at right. Use 5/16" x 3/4" Truss Head Bolts (heads below) and Nylon Hex Nuts (Items 6 and 5).

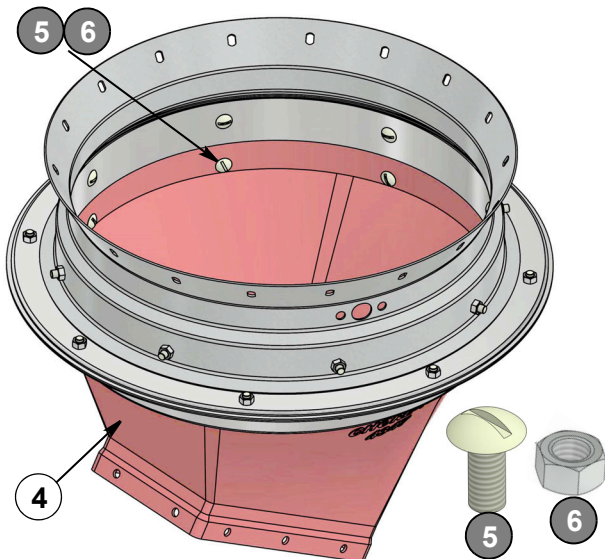
With the same hardware (Bolt heads inside), bolt the Angle Ring assembly inside the standard Hopper Collar (Item 1).



With the same hardware (Bolt heads inside), bolt the Boot (Item 4) inside the Collar+Angle Ring assembly.

NOTE: This Angle Ring adds 2" [51] to Hopper Collar total height. Subtract 2" [51] from standard distance\* when computing under-Collar clearance.

\*Diagrams are in:  
• Feed Bin Manuals  
MHB1261, MHB1247,  
• Industrial Manuals  
MND1063, MND1071.



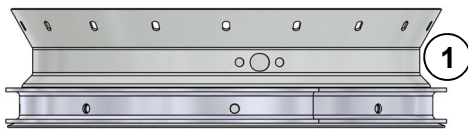
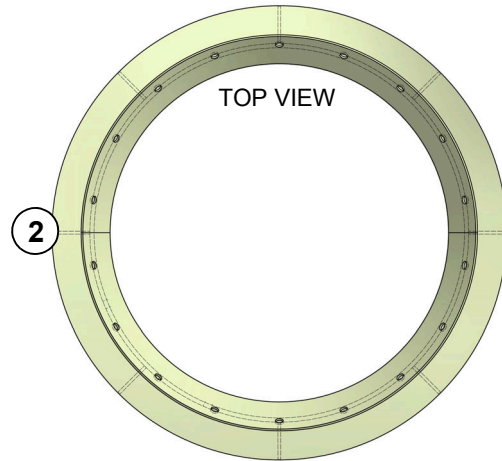
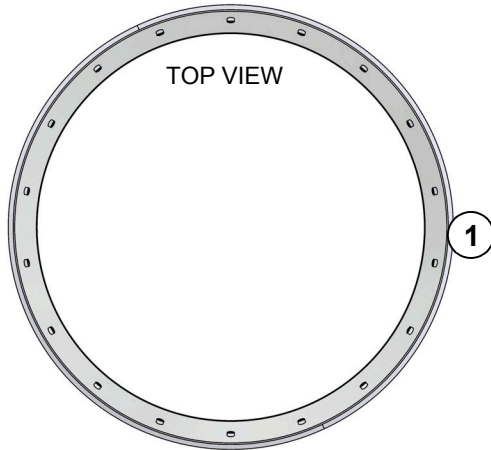
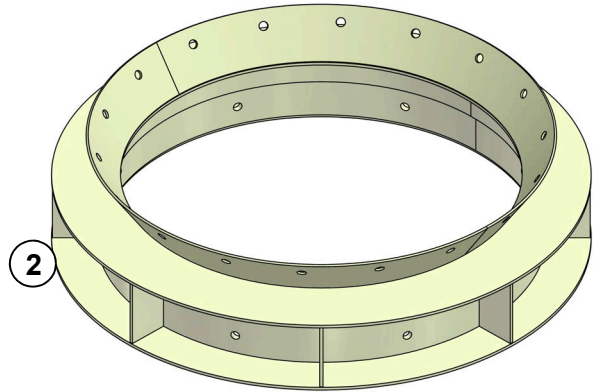
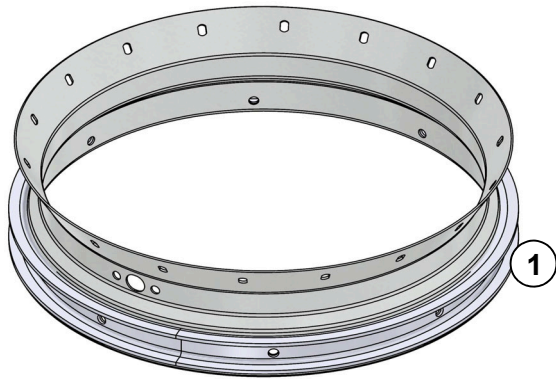
Item	Part No.	Description	Qty.
**1	varies	Collar	1
2	3-56755	Upper Angle Ring	1
3	3-56756	Lower Angle Ring	1
**4	3-12845	Hopper Boot	1
5	39-20270	Bolt, Truss Head 5/16-18 x 3/4" Gr. 2	
6	39-20250	Nut, Hex Nylon 5/16"-18	
**7	9-16274	Caulk, 40' Roll	

\*\*Not included in this Kit

BROCK's standard One-Year Warranty for Accessories applies to this part.



## 16" 60° Hopper Collar Medium and Heavy Reinforcing Weldment 3-29664 and 3-33061



Install this optional Weldment Collar (in place of the standard Hopper Collar) on 6' -15' [1 829 - 4 572] diameter Hopper Bins:

This Collar is installed the same as a standard Collar, with no additional hardware needed.

All stated Hopper Collar clearance height\* is retained with either of these Weldments.

\*Diagrams are in:

- Feed Bin Manuals MHB1261, MHB1247,
- Industrial Manuals MND1063, MND1071.

Item	Part No.	Description
1	3-29664	Collar Weldment, Medium
2	3-33061	Collar Weldment, Heavy

This Collar Weldment weighs 31.46 pounds [14.27 kg].

BROCK's standard One-Year Warranty for Accessories applies to this part.