

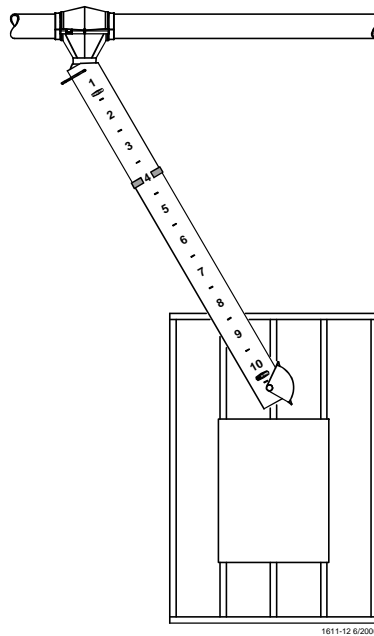


11 Pound Farrowing Drop Feeder

Part Number 44058

Introduction:

The Chore-Time 11 Pound Farrowing Drop Feeder is designed to measure a variable amount of feed to be dropped at each feeding (from 1 to 11 pounds [.45 to 4.95 kg]).

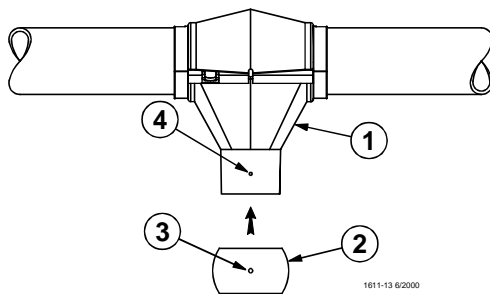


Installation:

The Outlet Drops should be positioned so that the 11 Pound Farrowing Drop Feeder can swing above the feed hopper to dispense feed. Also make sure the 11 Pound Farrowing Drop Feeder does not interfere with other equipment when hanging in the relaxed position.

Place the Flex-Joint Ring onto the Outlet Drop so the holes on the Flex-Joint Ring line up with the direction of swing.

Use the Flex-Joint Ring as a template and drill a 1/4" diameter hole through both sides of the Outlet Drop and the Flex-Joint Ring. See **Figure 1**.



Item	Description
1	Outlet Drop
2	Flex-Joint Ring
3	Pilot Hole
4	Hole in Outlet Drop (not necessarily used)

Figure 1. Drilling the Flex-Joint Ring and Outlet Drop

Place Flex-Joint Ring inside of Feeder Tube and also position it to the correct direction of swing. Use Flex-Joint Ring as a template and drill a 1/4" diameter hole through both sides of the Feeder Tube. Holes on the Feeder Tube should be approximately down 1" from the top. See **Figure 2**.

Cut Feeder Tube from center to the edge in which the Feeder Tube will swing. The cut should end up down 1" from the top of the Feeder Tube. See **Figure 2**.

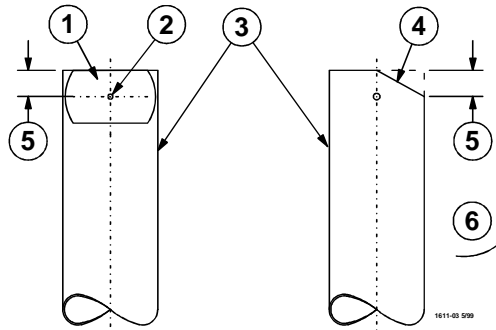


Figure 2. Drilling and cutting the Feeder Tube

Item	Description
1	Flex-Joint Ring
2	Hole in Flex-Joint Ring
3	Feeder Tube
4	Cut Line
5	1" [25 mm]
6	Direction of Swing

Place flex-joint and tube onto outlet and place drop tube pin through all three pieces and relatch the drop tube pin. See **Figure 3**.

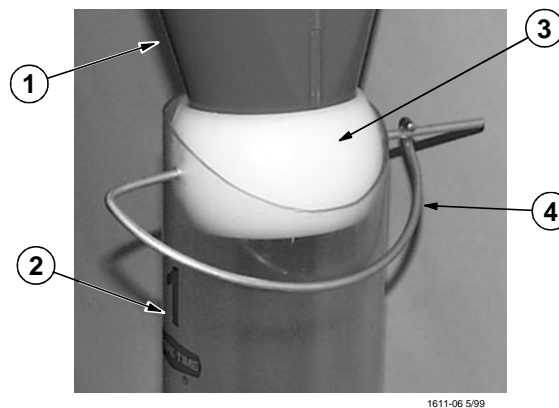
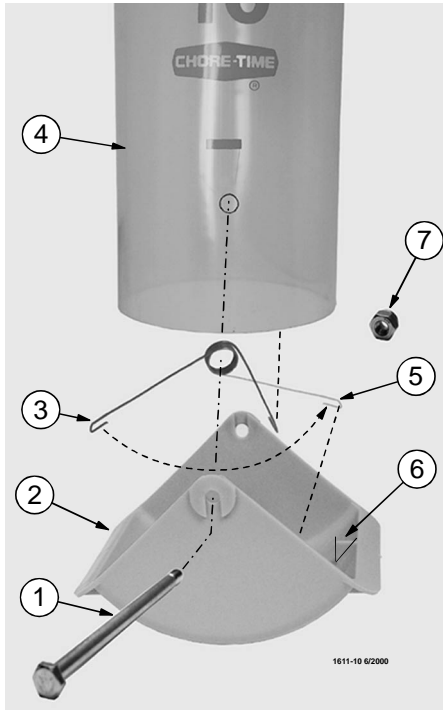


Figure 3. Hanging the Feeder Tube

Item	Description
1	Outlet Drop
2	Feeder Tube
3	Flex-Joint Ring
4	Clip Pin

Note: Assembly shown is for right hand operation. Assemble to opposite side of Feeder Tube for left hand operation.

Slide Feed Level Ring onto bottom of Feeder Tube. While holding the Relaxed Feed Gate Torsion Spring as shown in **Figure 4**, hook the Feed Gate Torsion Spring to the bottom of the Feeder Tube and hold in place. Apply tension to the Feed Gate Torsion Spring by rotating the free end around counter clockwise until positioned as shown in **Figure 4**. While holding the Feed Gate Torsion Spring under tension, slide the Feed Gate, aligned with the Feed Gate Stop to the right as shown in **Figure 4**, over the bottom of the Feeder Tube and the Feed Gate Torsion Spring. Allow free end of Feed Gate Torsion Spring to hook over side edge of the Feed Gate. Lock all parts in place by inserting the 1/4-20 x 4-1/2" Hex Head Cap Screw through the hole in the Feed Gate, the coil in the Feed Gate Torsion Spring, the Feeder Tube, and out the other side of the Feed Gate. Install the 1/4-20 Nylon Insert Lock Nut on the hex head cap screw so the outside of the lock nut is flush with the end of the hex head cap screw..



Item	Description
1	1/4-20 x 4-1/2" Hex Head Cap Screw
2	Feed Gate
3	Feed Gate Torsion Spring (Relaxed)
4	Feeder Tube
5	Feed Gate Torsion Spring (Under Tension)
6	Feed Gate Stop
7	1/4-20 Nylon Insert Lock Nut

Figure 4. Installing the Feed Gate with Push Pin Retainers

Make sure the Feeder Tube assembly is not within reach of the livestock. The Feeder Tube assembly may be secured to the crate or partition for stability.

Operation:

The fill system will fill the Feeder Tube with feed.

Slide the Feed Level Ring to the desired number of pounds of feed to be dispensed.

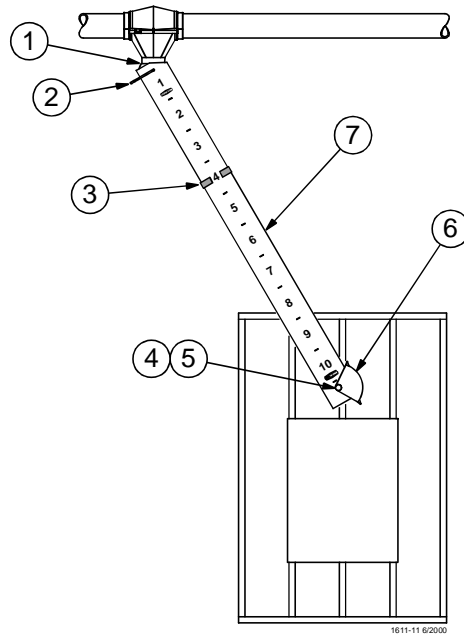
Angle the Feeder Tube assembly to the feed hopper or feeder pan (not supplied).

Open the Feed Gate to allow the feed to drop. When feed level reaches the Feed Level Ring, close the Feed Gate.

Allow the Feeder Tube assembly to hang in its relaxed position.

Before the next feeding, turn the fill system on to fill the Feeder Tube.

11 Pound Farrowing Drop Feeder Parts List



Item	Description	Part No.
1	Flex-Joint Ring	41717
2	Clip Pin	41657
3	Feed Level Ring	41005
4	1/4-20 x 4-1/2" Hex Head Cap Screw	4404-23
5	1/4-20 Nylon Insert Lock Nut	8159
6	Feed Gate	40940
7	Feeder Tube	40942
—	Feed Gate Torsion Spring	45870