

# **ST77000-1/-4/-48 (AC3010)**

**Actuated Ceiling 360 Degree Airflow Inlet**

## **INSTALLATION INSTRUCTIONS**

**Please read instructions before attempting to install inlet**

US Patent No.: 9,445,574

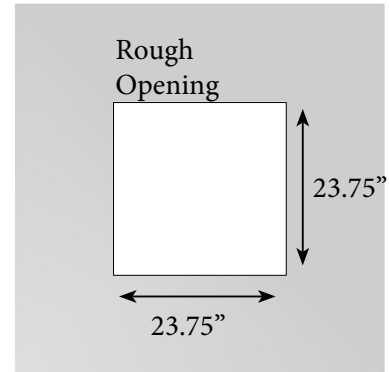
# Pre-Installation Preparation

## Pre-installation

### Inspection:

Inspect inlet condition for breaks and deformed parts

- Rough opening in ceiling (23.75" x 23.75")
- Mounting surface should be flat
- @a`WwfaUgfUM`Yefdsbe
- 7`egdWZsf`aWde[eZS`Y`YagfaXhgYZabW`Y
- Za`WZsfUS`[fW`W`fZ`W`WZ`[e`



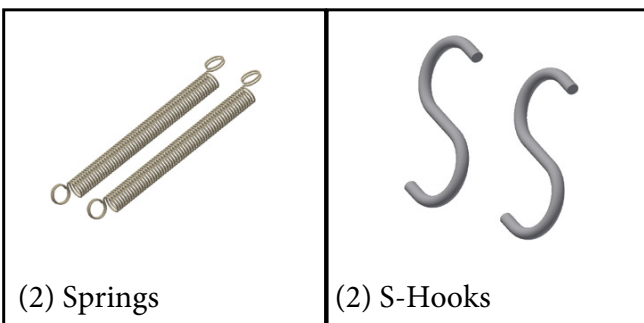
## Installation Tools

The following tools may be required depending upon your particular installation. They are not included.

- Power Drill
- (8) 2" x #8 Wood Screws and Washers per Inlet
- Caulk Gun
- Caulking
- Ladder
- Protective Eyewear
- Tape Measure
- Pencil

## Parts List (AC3010 Kit)

Kit contains the following parts:



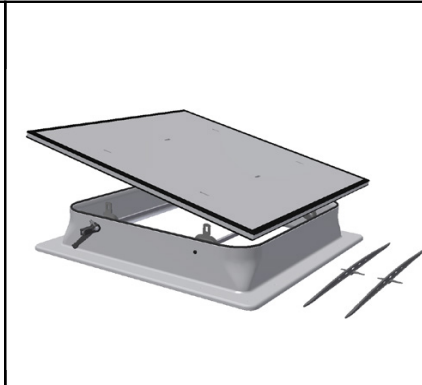
# AC3010 Installation

Step 1: (Remove Lid Pins)



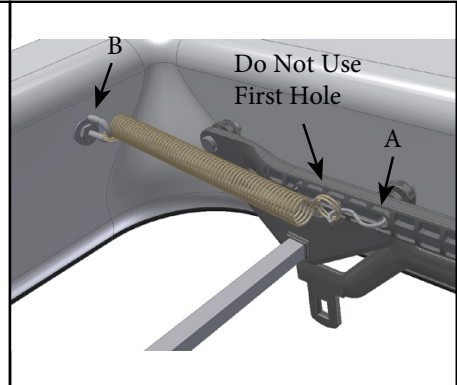
Remove Lid Pins by lifting on center pin until tab comes out of hole on lid. Then pull the pin sideways so that it bends enough to be freed.

Step 2: (Remove Lid)



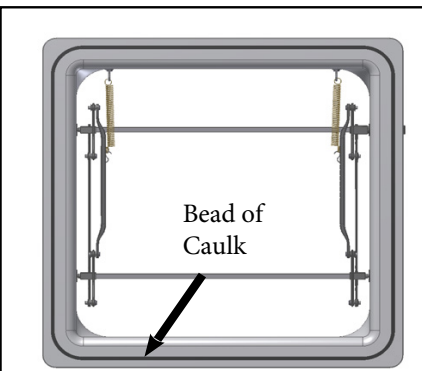
Once pins are removed, lift off lid and place in safe location.

Step 3: (Attach 2 Springs)



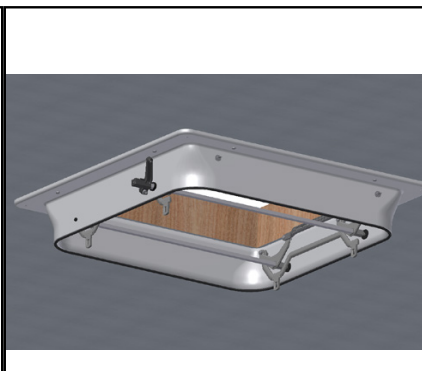
Hang S-hook into pre-drilled hole (A). Attach spring on S-Hook and J-Hook (B). Repeat for opposite side.

Step 4: (Caulk Top Of Inlet)



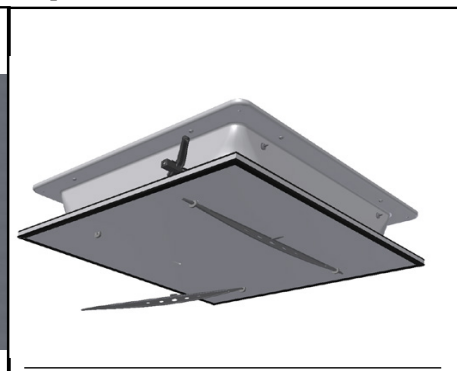
Place a bead of caulk around top side of inlet. Using 2" wood screws with a washer fasten inlet to ceiling. 8 screws placed 3/4" from outside edge.

Step 5: (Fasten Screws)



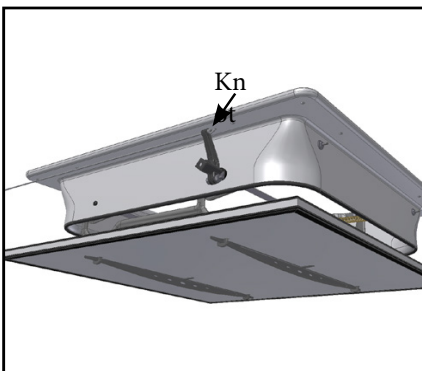
Fasten inlet to ceiling.

Step 6: (Install Lid to Inlet)



Install bottom lid to inlet.

Step 7: (Winch Line)

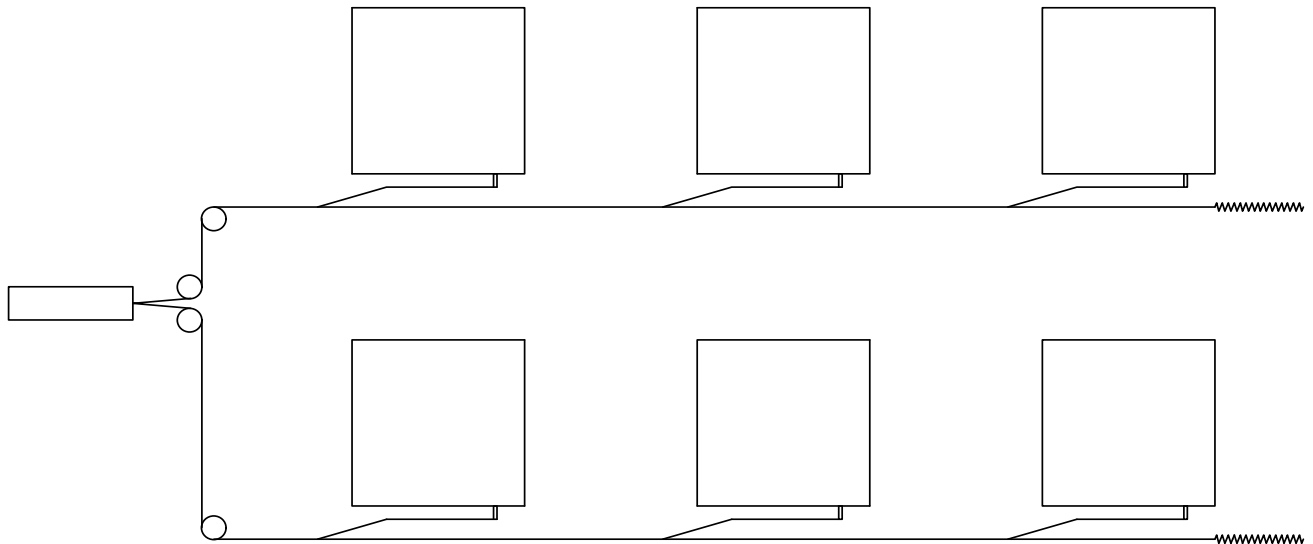


Attach string to Weight Arm with a regular knot. String should always be pulled parallel with inlet when inlet is being pulled shut.

**WARNING: Do not open inlet more than 4.5" or permanent spring damage may occur**

# AC3010 Winch Line Setup(s)

Option 1:



Option 2:

