

GC1140

Gravity Ceiling 360 Degree Airflow Inlet

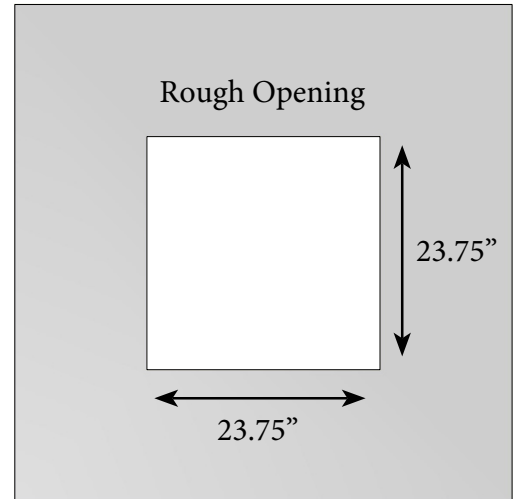
INSTALLATION INSTRUCTIONS

Please read instructions before attempting to install inlet

US Patent No.: 9,445,574

Pre-Installation Preparation

- Inspect inlet condition for breaks and deformed parts
- Rough opening in ceiling (23.75" x 23.75")
- Mounting surface should be flat
- No need to cut ceiling straps
- Ensure that no debris is hanging out of rough opening hole that can interfere with inlet mechanism





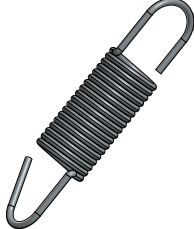
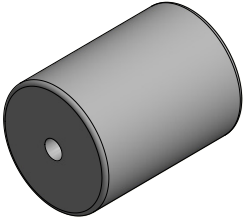
Installation Tools

The following tools may be required depending upon your particular installation. They are not included.

- Power Drill
- (8) 2" x #8 Wood Screws and Washers per Inlet
- Caulk Gun
- Caulking
- Tape Measure
- Pencil
- Ladder
- Protective Eyewear

Parts List (GC1140 Kit)

Kit contains the following parts:

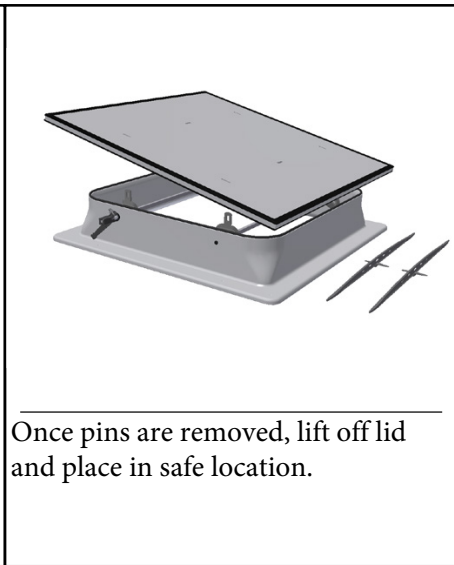
			
Weight Bar	Hex Bolt 1/4-20 - 2.5" Wing Nut 1/4-20	Spring	2" Weight

Installation

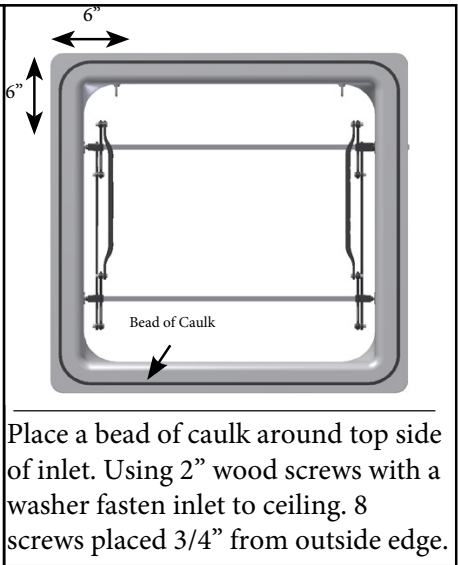
Step 1: (Remove Lid Pins)



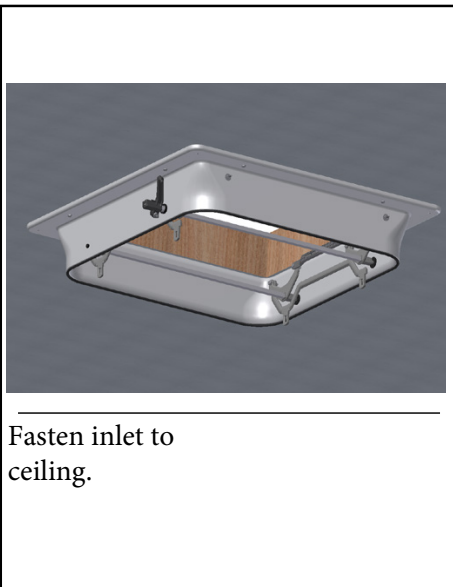
Step 2: (Remove Lid)



Step 3: (Caulk Top Of Inlet)



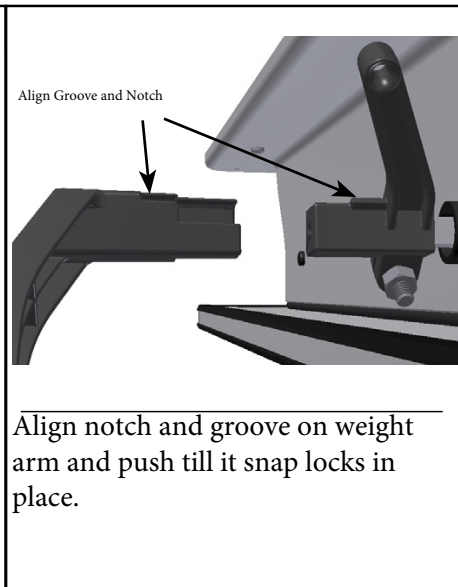
Step 4: (Fasten Screws)



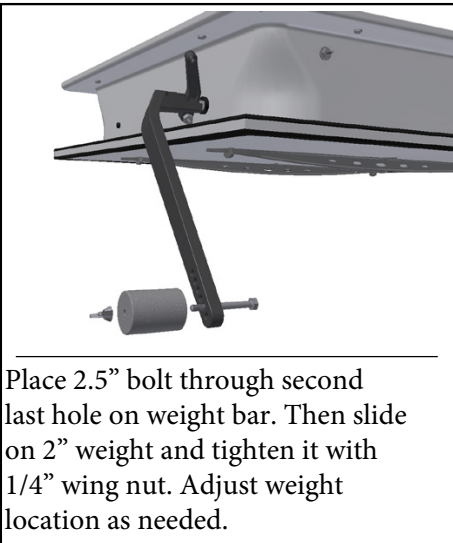
Step 5: (Install Lid to Inlet)



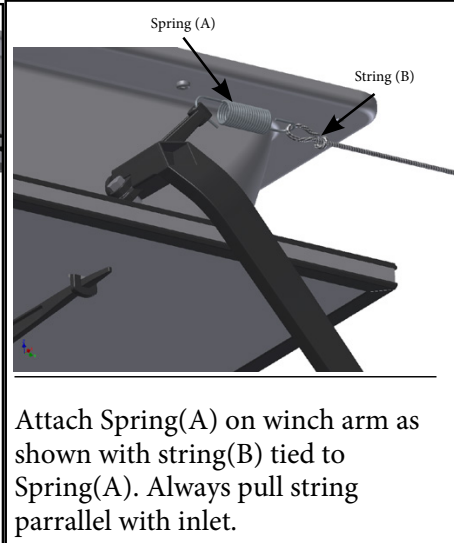
Step 6: (Weight Arm)



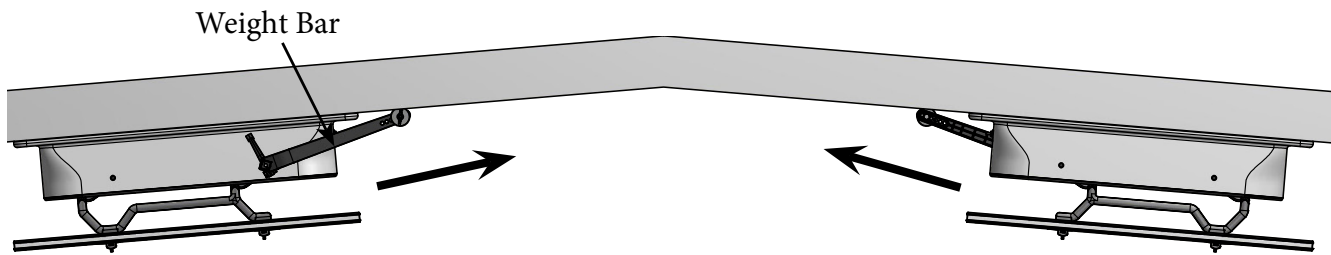
Step 7: (Weight)



Step 8: (Shut-off)



GC1140 Inlet Alignment



When installing inlets on a ceiling that has a slope it is important that inlet is installed so that weight bar points towards the ceiling peak. Failure to do so will reduce the performance of the inlet.

Winch Line Setup (Shut-Off)

Recommended winch line setup for inlet shut-off:

