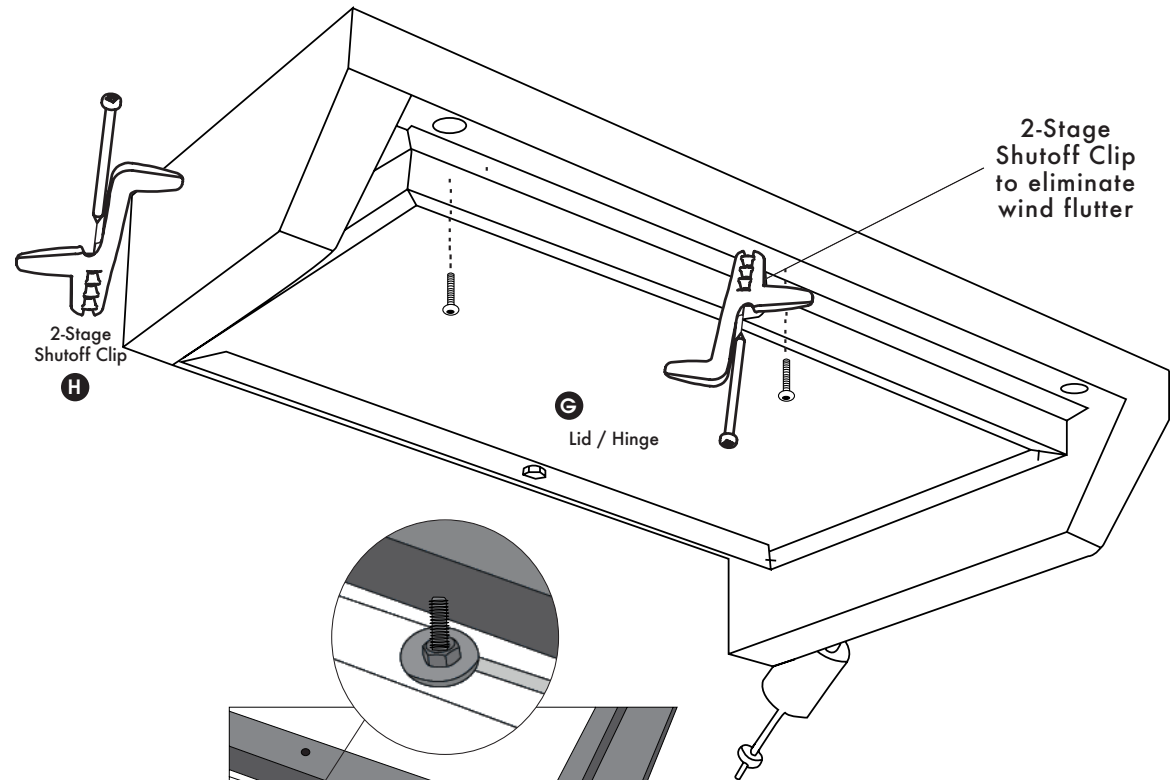
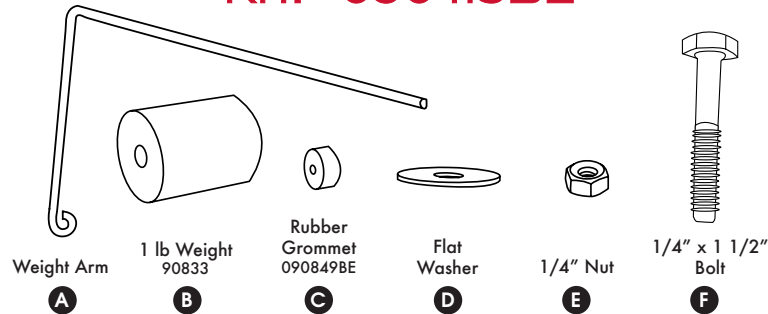


CHORE-TIME®

GRAVITY INLET (JD1501) INSTALLATION MANUAL PART #: ST77003(-72)



JD1501 GRAVITY KIT: #090415BE



JD1501 GRAVITY INLET PARTS

	DESCRIPTION	PART NO.	QTY.
A	Weight Arm		2
B	1 lb. Weight	90833	2
C	Rubber Grommet	090849BE	4
D	1/4" Flat Washer		2
E	1/4" Nut		2
F	1/4" x 1 1/2" Bolt		2
G	Lid / Hinge		2
H	2-Stage Shutoff Clip		2

INSTALLATION INSTRUCTIONS

- Fasten inlet to the ceiling with 6 - #10 x 1 1/2" stainless steel screws provided. (The inlet must be fastened squarely to ensure door opens freely. The doors can be adjusted by loosening the hinge screws and repositioning the door.)
- Fasten weight arm to back side of door in hole, using 1 - 1/4" x 1 1/2" stainless steel bolt, 1 - 1/4" stainless steel flat washer, & 1 - 1/4" stainless steel head nut
- Slide a rubber grommet over the end of the weight arm, followed by the 1 lb weight and then a second rubber grommet. Adjust to desired location.
- With door closed, fasten 2-Stage Shutoff clip (locate pilot hole) using a #10 x 2 1/2" screw with a #10 x 3" or longer driver bit.

