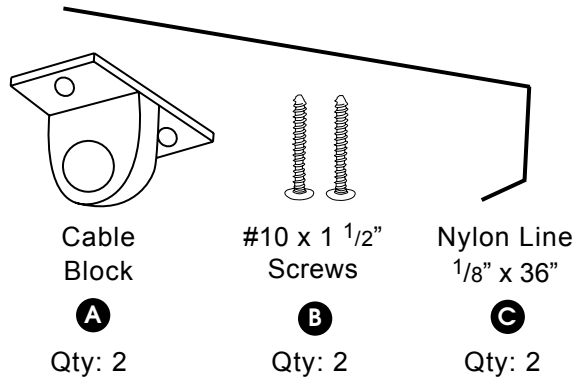




CEILING INLET (JD4000) INSTALLATION MANUAL PART #: ST77004 (-30)



JD4000 ACTUATED KIT: #090412BE



INSTALLATION INSTRUCTIONS

- Fasten inlet to the ceiling with 8 - #10 x 1 1/2" stainless steel screws provided. (The inlets must be fastened squarely to ensure door opens freely). The doors can be adjusted by loosening the hinge screws and repositioning the door.
- Using 4 - #10 x 1 1/2" stainless steel screws, fasten both cable blocks to the ceiling at the center point of the inlet.
- Tie a knot in one end of the 36" nylon line. Feed the other end through the inlet door. Bring the nylon line around the front edge of the door and feed through the inlet block in the opposite direction of where the PVC counterbalance weight is located.
- Attach the nylon line to the main pull line using a nylon thumb nut. Place the pull cable into the slotted portion of the thumb nut first, followed by the nylon line. This will help to ensure a firm grip. (Locate the thumb nut 30" from the center of the inlet ensuring it cannot reach inlet block when door is in fully open position).

