

# CHORE-TIME®

## 4-WAY CEILING INLET (C2200) INSTALLATION MANUAL PART #: ST777009-2/-48

# PIGTEK®

### TOOLS REQUIRED

- Screw gun
- Mounting screws for housing
- Caulk to seal inlet



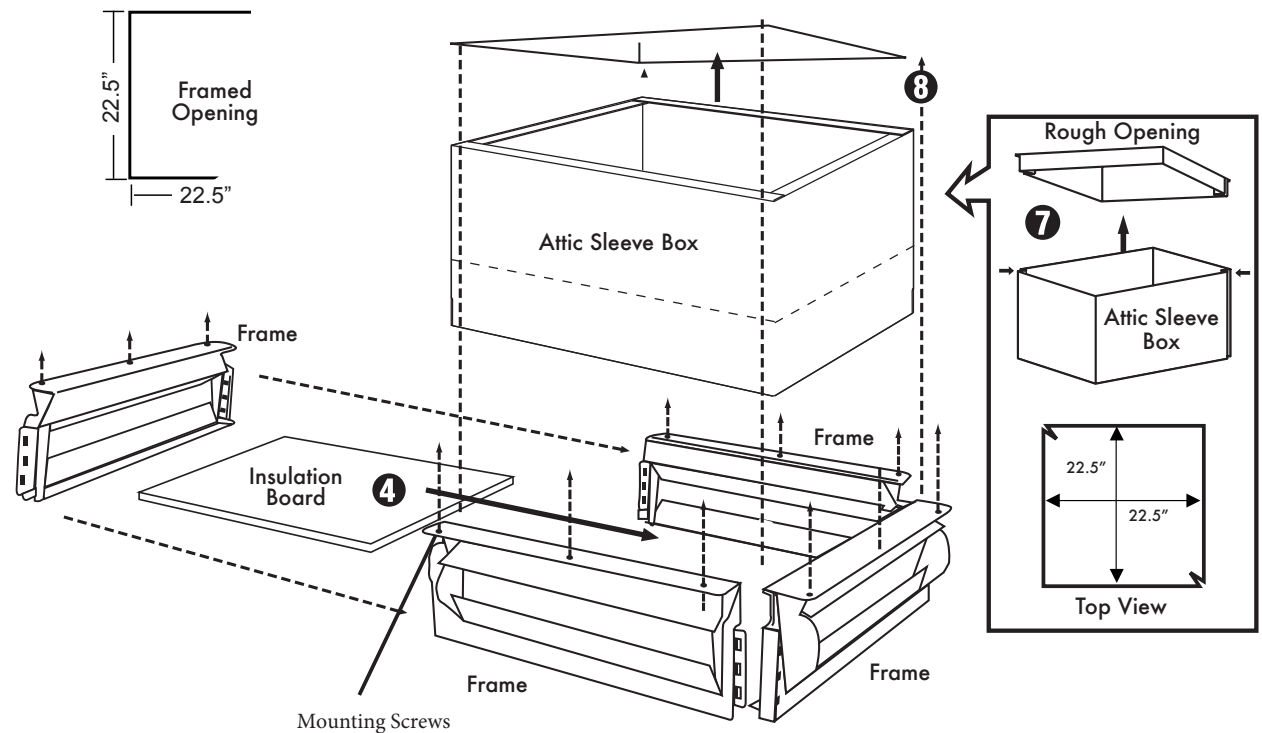
### CONTENTS

- 2 - Box Attic Sleeves
- 8 - C2200 Frame Assembly
- 2 - Insulation Boards

### INSTALLATION INSTRUCTIONS

1. Framed rough opening size at 22.5" x 22.5" (571.5 x 571.5 mm).
2. Unfold plastic carton. Assemble all components as follows. (NOTE: DO NOT CUT CARTON)
3. Snap together three inlet frames. Slide bottom panel into track molded into sides. Snap on fourth side.
4. Repeat steps 3 and 4 for second inlet.
5. Separate the two boxes to be used as attic sleeves.
6. On attic sleeve box, crimp two opposite scored corners of box inward. Slide sleeve into rough opening and staple into place.
7. Fasten assembled inlet to ceiling rough opening using 12 screws (not included). **DO NOT OVERTIGHTEN!** Caulk around inlet to ensure a good seal.

**IMPORTANT: A GOOD SEAL IS REQUIRED TO MAINTAIN PROPER STATIC PRESSURE AND OPERATION**



### MATERIALS HANDLING

Components are made of durable plastic. However, during very cold weather (below 40°F/4°C) material may become brittle and can crack or break when subjected to sharp blows or stress.

Avoid striking or dropping components in cold weather. Assemble only at room temperature.

